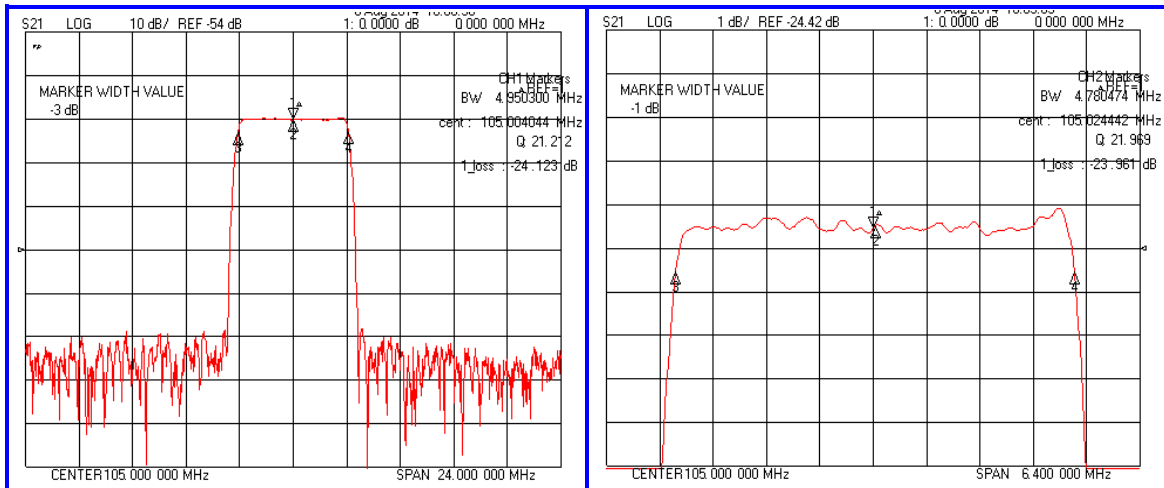


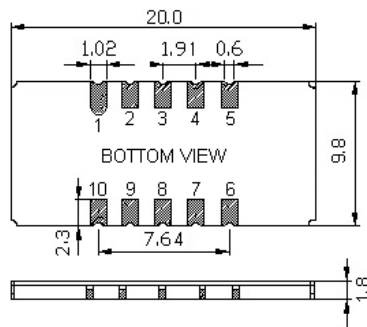
### Typical Performance



### Specification

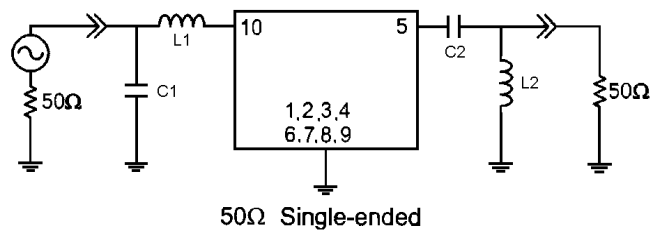
Parameter	Unit	Min.	Typ.	Max.
Center Frequency	MHz	-	105.00	-
Insertion Loss	dB	-	24.00	26.00
1dB Bandwidth	MHz	4.70	4.78	-
3dB Bandwidth	MHz	-	4.95	-
20dB Bandwidth	MHz	-	5.48	5.55
40dB Bandwidth	MHz	-	5.75	5.90
Passband Ripple	dB	-	0.70	1.20
Ultimate Attenuation	dB	40	48	-
Absolute Delay	μsec	-	2.54	-
Substrate Material	-	112-LiTaO <sub>3</sub>		
Temperature Coefficient	ppm/°C	-20		

### Package Dimension



10: Input, 1: In-Gnd  
 5: Output, 6: Out-Gnd  
 2,3,4,7,8,9: Case Gnd

### Matching Configuration



L1=39nH, L2=33nH, C1=36pF, C2=110pF  
 Source / Load Impedance = 50Ω  
 Ambient Temperature = 25°C

Rev 0. 140811

