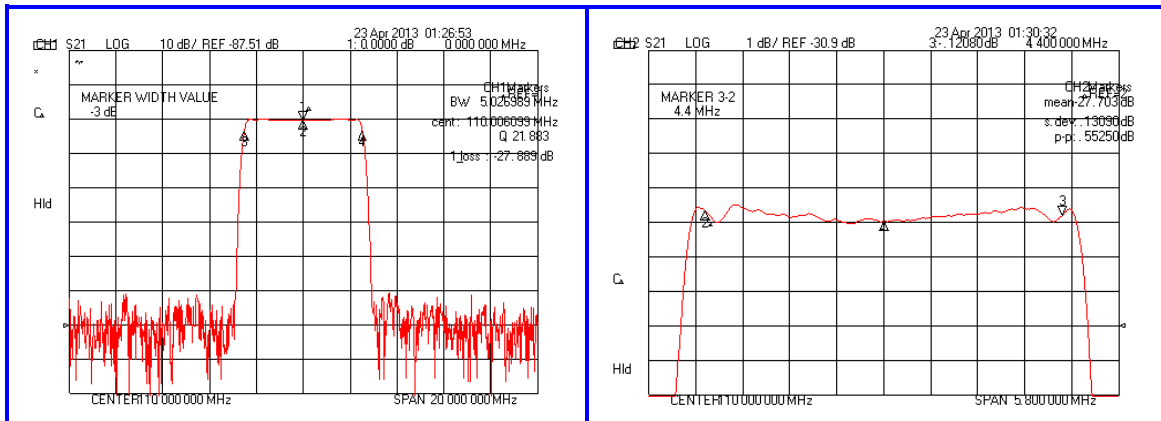


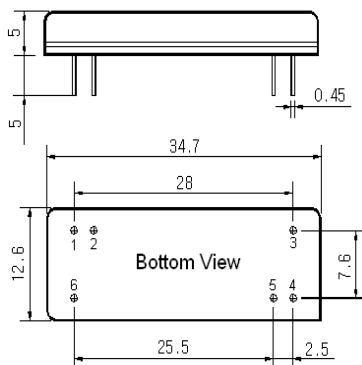
### Typical Performance



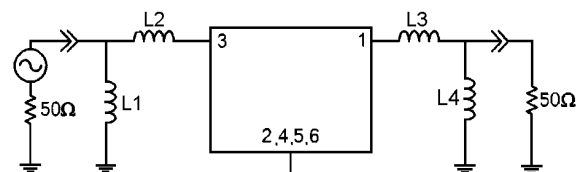
### Specification

Parameter	Unit	Min.	Typ.	Max.
Center Frequency	MHz	109.92	110.00	110.08
Insertion Loss	dB	-	27.88	30.00
1dB Bandwidth	MHz	4.60	4.88	-
10dB Bandwidth	MHz	-	5.28	-
20dB Bandwidth	MHz	-	5.48	-
40dB Bandwidth	MHz	-	5.70	5.90
Out of Band Gain	-	-	-	-
Fc ± 2.2MHz ± 600KHz Point	dB	10	27	-
Fc ± 2.2MHz ± 800KHz Point	dB	20	50	-
Amplitude Ripple(Fc ± 2.2MHz)	dB	-	0.55	1.20
Absolute Delay	µsec	-	3.26	-
Group Delay Variation	nsec	-	150	300
Ultimate Attenuation	dB	45	50	-
Substrate Material / T.C.F	ppm/°C	Quartz / -0.032		
Package	mm	35 X 12 (DIP)		

### Package Dimension



### Matching Configuration



50Ω Single-ended  
 L1=27nH, L2=39nH, L3=47nH, L4=27nH  
 Source / Load Impedance = 50Ω  
 Ambient Temperature = 25°C

Rev.0 130429

