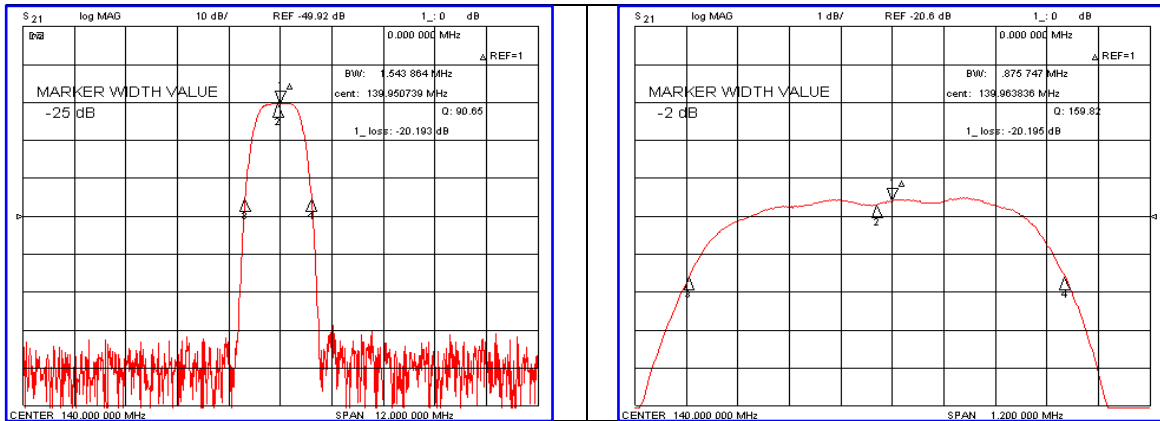


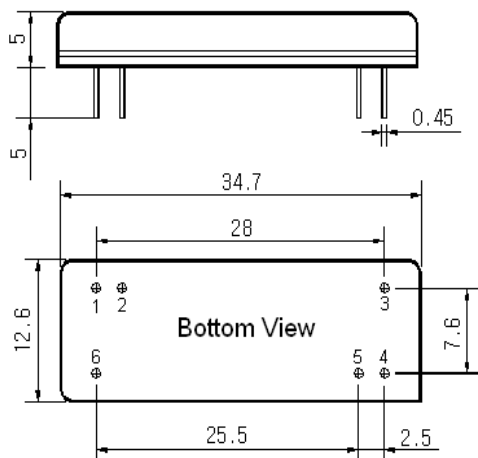
### Typical Performance



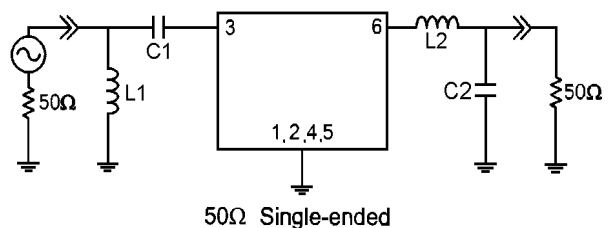
### Specification

Parameter	Unit	Min.	Typ.	Max.
Center Frequency	MHz	139.90	140.00	140.10
Insertion Loss	dB	-	20.30	23.00
2dB Bandwidth	MHz	0.75	0.87	-
25dB Bandwidth	MHz	-	1.54	1.65
40dB Bandwidth	MHz	-	1.71	1.80
Passband Ripple	dB	-	0.50	1.00
Group Delay Variation	nsec	-	200	300
Absolute Delay	usec	-	3.40	-
Ultimate Attenuation	dB	50	55	-
Substrate Material	-	Quartz		
Temperature Coefficient	ppm/°C	-0.03		

### Package Dimension



### Matching Configuration



L1=56nH, L2=15nH, C1=62pF C2=39pF  
 Source / Load Impedance = 50Ω  
 Ambient Temperature = 25°C

Rev.0 091127

