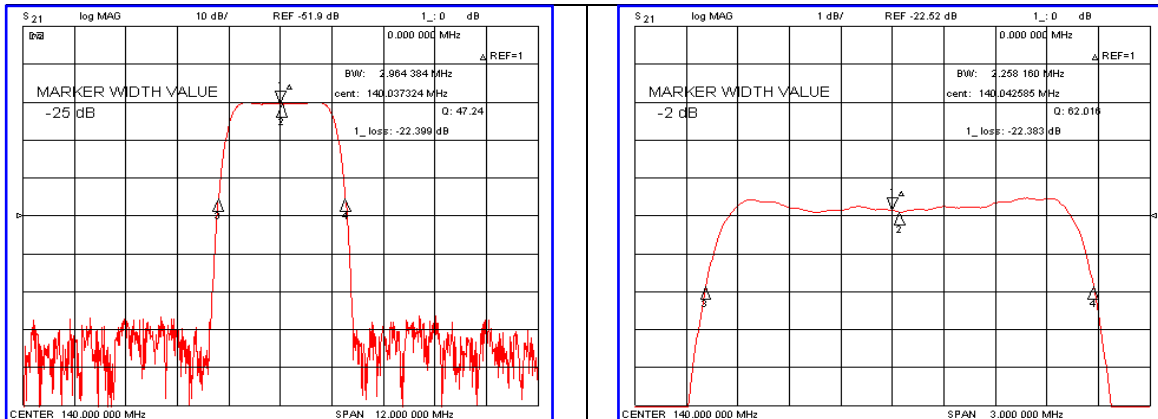


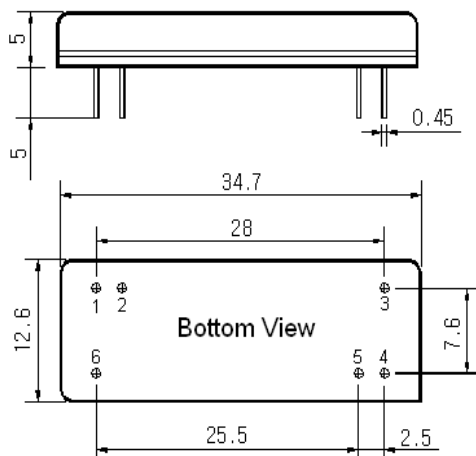
Typical Performance



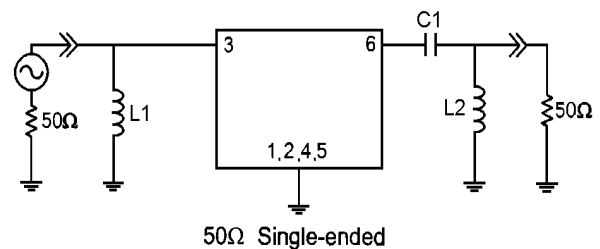
Specification

Parameter	Unit	Min.	Typ.	Max.
Center Frequency	MHz	139.90	140.00	140.10
Insertion Loss	dB	-	22.50	25.00
2dB Bandwidth	MHz	2.18	2.25	-
25dB Bandwidth	MHz	-	2.96	3.05
40dB Bandwidth	MHz	-	3.15	3.25
Passband Ripple	dB	-	0.45	1.00
Group Delay Variation	nsec	-	100	200
Absolute Delay	usec	-	3.08	-
Ultimate Attenuation	dB	50	55	-
Substrate Material	-	Quartz		
Temperature Coefficient	ppm/°C	-0.03		

Package Dimension



Matching Configuration



L1=47nH, L2=33nH, C1=200pF
 Source / Load Impedance = 50Ω
 Ambient Temperature = 25°C

Rev.0 091130

