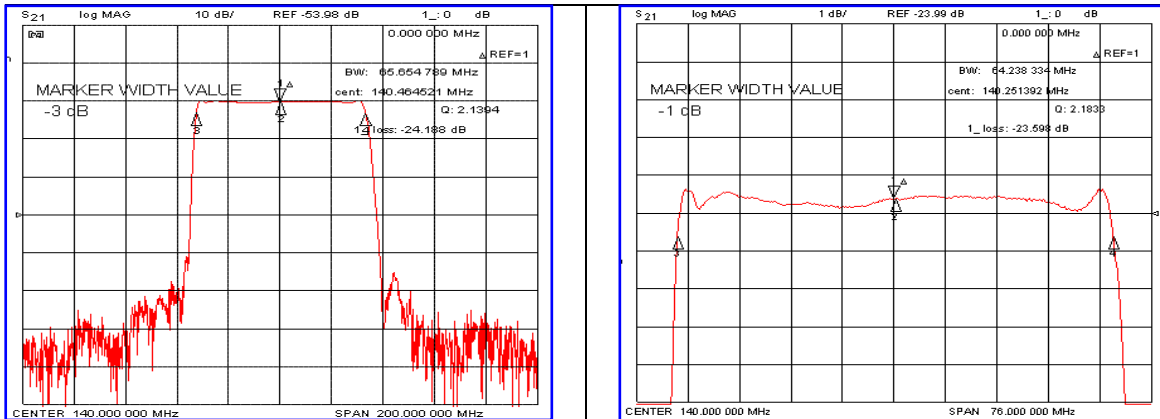


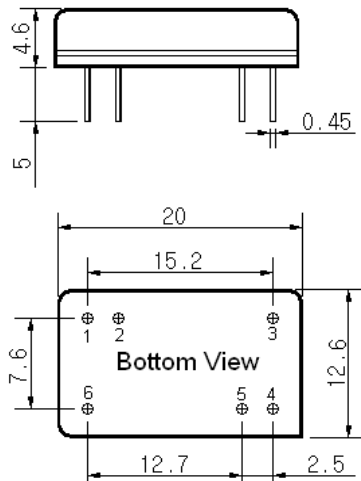
## Typical Performance



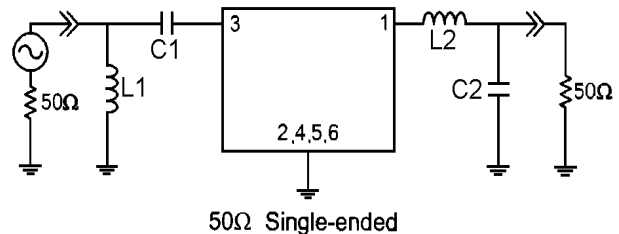
## Specification

Parameter	Unit	Min.	Typ.	Max.
Center Frequency	MHz	-	140.00	-
Insertion Loss	dB	-	24.20	26.00
1dB Bandwidth	MHz	64.00	64.23	-
3dB Bandwidth	MHz	-	65.65	-
40dB Bandwidth	MHz	-	73.90	74.50
Passband Ripple( $F_c \pm 30\text{MHz}$ )	dB	-	0.65	1.00
Group Delay Variation( $F_c \pm 30\text{MHz}$ )	nsec	-	30	50
Absolute Delay	$\mu\text{sec}$	-	1.95	-
Ultimate Attenuation	dB	35	41	-
Substrate Material	-	128- LiNbO <sub>3</sub>		
Temperature Coefficient	ppm/ $^{\circ}\text{C}$	-72		

## Package Dimension



## Matching Configuration



L1=27nH, L2=33nH, C1=270pF, C2=33pF  
 Source / Load Impedance = 50Ω  
 Ambient Temperature = 25°C

Rev0. 100615

