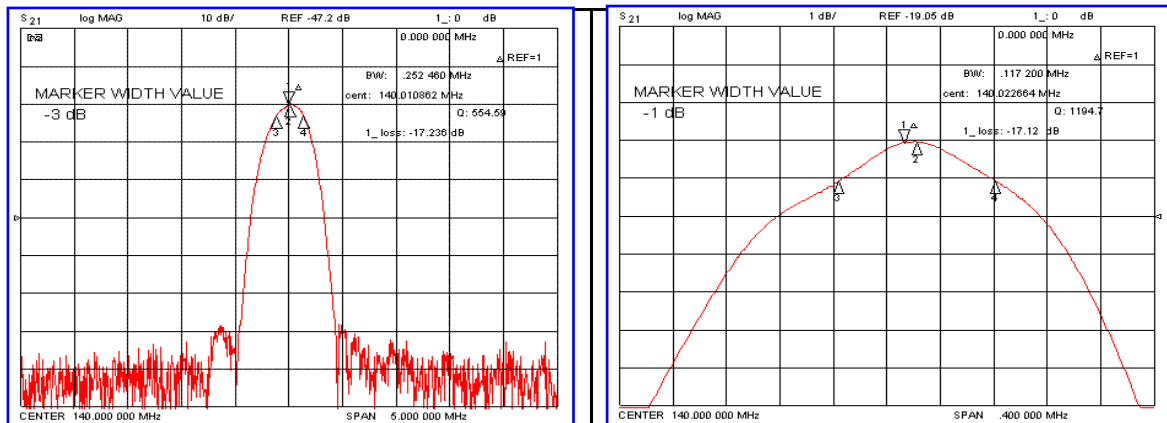


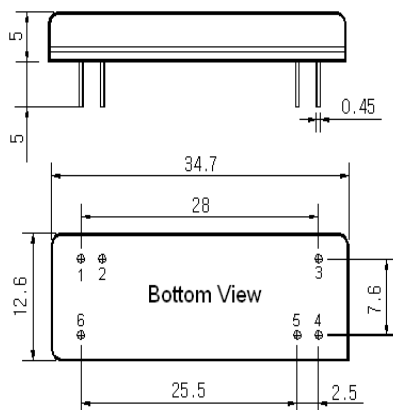
### Typical Performance



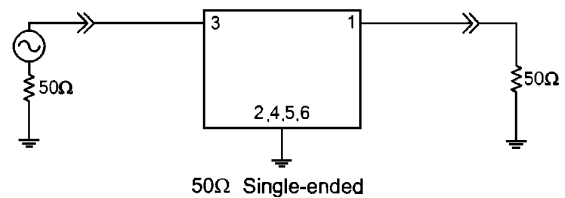
### Specification

Parameter	Unit	Min.	Typ.	Max.
Center Frequency	MHz	139.90	140.00	140.10
Insertion Loss	dB	-	17.20	19.00
1dB Bandwidth	MHz	-	0.11	-
3dB Bandwidth	MHz	0.22	0.25	-
40dB Bandwidth	MHz	-	0.75	0.90
Passband Ripple	dB	-	0.45	1.00
Absolute Delay	μsec	-	4.1	-
Ultimate Attenuation	dB	50	55	-
Substrate Material	-	Quartz		
Temperature Coefficient	ppm/°C <sup>2</sup>	-0.03		

### Package Dimension



### Matching Configuration



Source / Load Impedance = 50Ω  
Ambient Temperature = 25°C

08/23/2006

