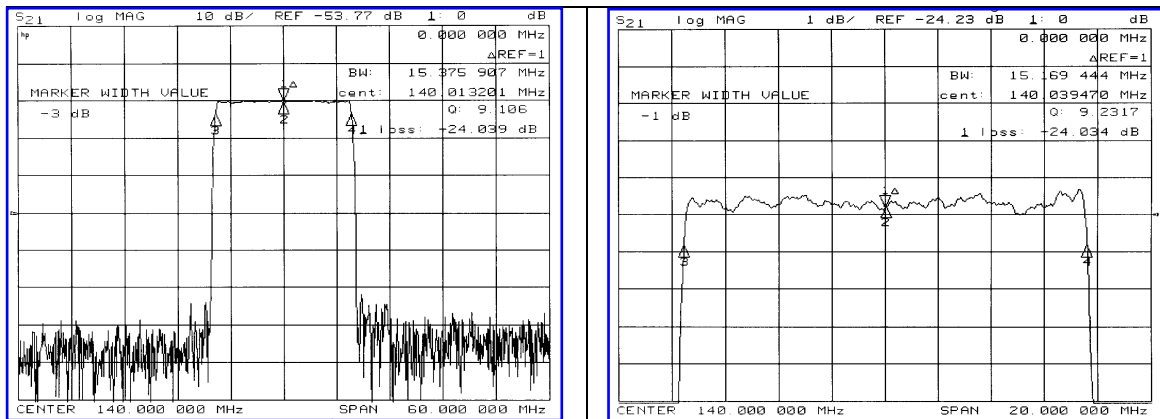


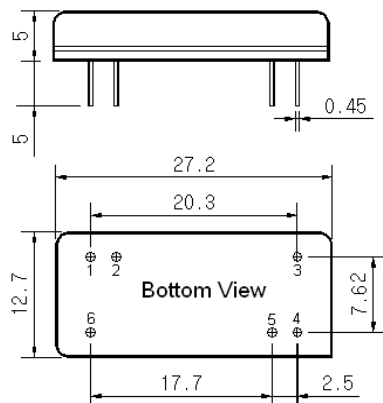
### Typical Performance



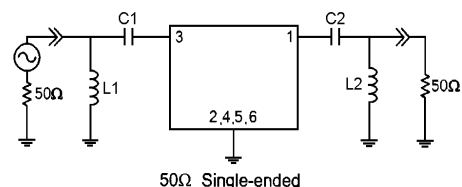
### Specification

Parameter	Unit	Min.	Typ.	Max.
Center Frequency	MHz	139.85	140.00	140.15
Insertion Loss	dB	-	24.00	25.50
1dB Bandwidth	MHz	15.00	15.16	-
3dB Bandwidth	MHz	-	15.37	-
40dB Bandwidth	MHz	-	16.40	16.50
Passband Ripple	dB	-	0.65	1.00
Group Delay Variation	nsec	-	100	200
Absolute Delay	µsec	-	2.83	-
Ultimate Attenuation	dB	50	53	-
Substrate Material	-	128-LiNbO <sub>3</sub>		
Temperature Coefficient	ppm/°C	-72		

### Package Dimension



### Matching Configuration



L1=56nH, L2=100nH, C1=56pF, C2=120pF  
 Source / Load Impedance = 50Ω  
 Ambient Temperature = 25°C

06/02/2006

