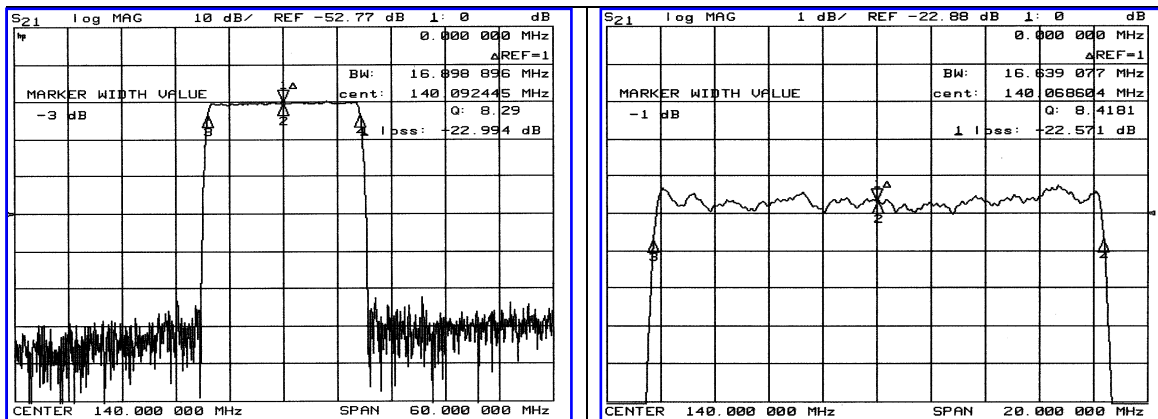


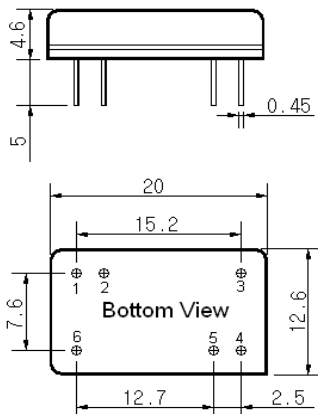
Typical Performance



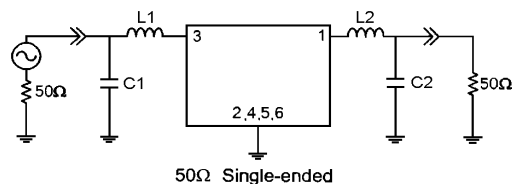
Specification

Parameter	Unit	Min.	Typ.	Max.
Center Frequency	MHz	139.85	140.00	140.15
Insertion Loss	dB	-	23.00	24.50
1dB Bandwidth	MHz	-	16.64	-
3dB Bandwidth	MHz	16.80	16.90	-
40dB Bandwidth	MHz	-	18.34	18.60
50dB Bandwidth	MHz	-	18.46	-
Passband Ripple	dB	-	0.65	1.00
Group Delay Variation	nsec	-	50	100
Absolute Delay	µsec	-	2.1	-
Ultimate Attenuation	dB	50	55	-
Substrate Material	-	128-LiNbO ₃		
Temperature Coefficient	ppm/°C	-72		

Package Dimension



Matching Configuration



L1=39nH, L2=39nH, C1=10pF, C2=27pF
 Source / Load Impedance = 50Ω
 Ambient Temperature = 25°C

04/12/2005

