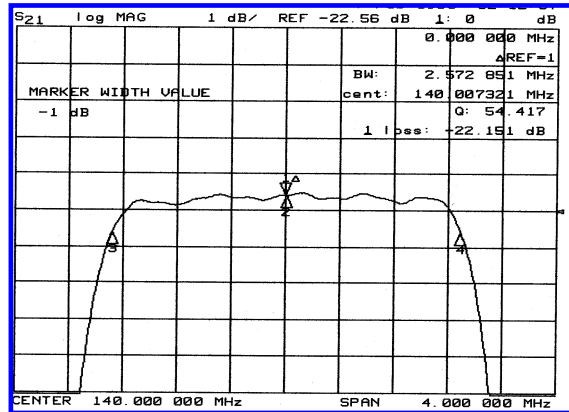
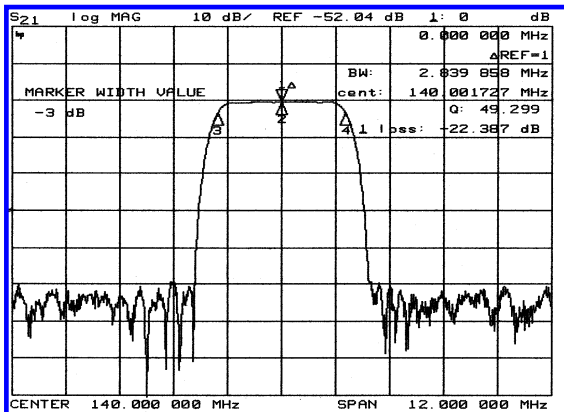


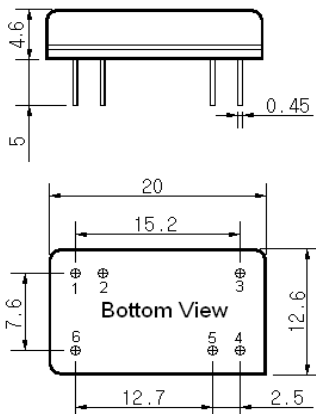
Typical Performance



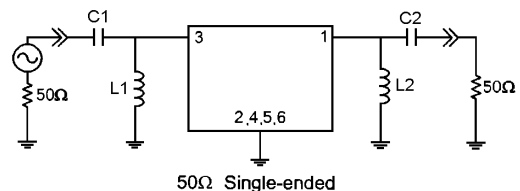
Specification

Parameter	Unit	Min.	Typ.	Max.
Center Frequency	Mhz	139.90	140.00	140.10
Insertion Loss	dB	-	22.50	24.00
1dB Bandwidth	Mhz	2.40	2.57	-
3dB Bandwidth	Mhz	2.70	2.83	-
40dB Bandwidth	Mhz	-	3.80	4.00
50dB Bandwidth	Mhz	-	-	-
Passband Ripple	dB	-	0.55	1.00
Group Delay Variation	nsec	-	50	100
Absolute Delay	µsec	-	2.4	-
Ultimate Attenuation	dB	45	50	-
Substrate Material	-	Quartz		
Temperature Coefficient	ppm/°C ²	-0.03		

Package Dimension



Matching Configuration



L1=39nH, L2=33nH, C1=20pF, C2=20pF
 Source / Load Impedance = 50Ω
 Ambient Temperature = 25°C

11/13/2004

