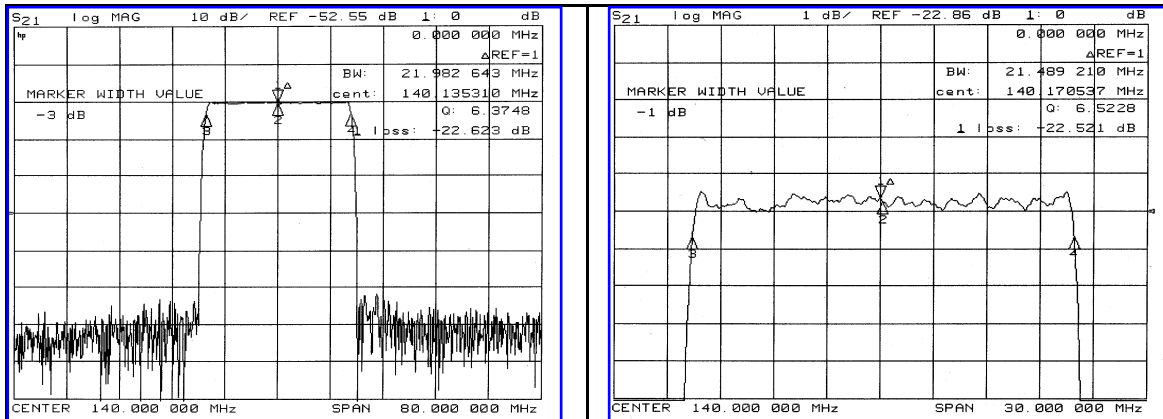


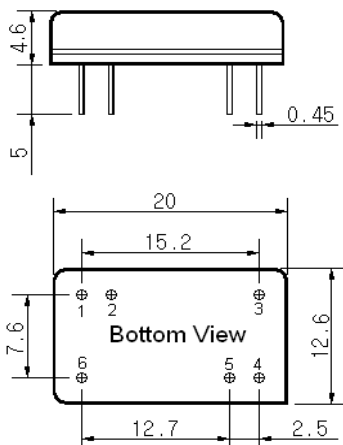
Typical Performance



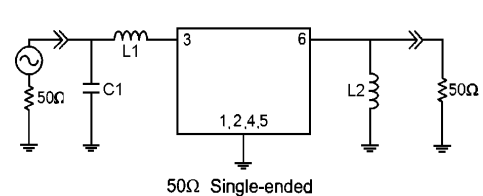
Specification

Parameter	Unit	Min.	Typ.	Max.
Center Frequency	MHz	139.85	140.00	140.15
Insertion Loss	dB	-	23.00	25.00
1dB Bandwidth	MHz	-	21.48	-
3dB Bandwidth	MHz	21.80	21.98	-
40dB Bandwidth	MHz	-	23.88	24.30
Passband Ripple	dB	-	0.65	1.00
Group Delay Variation	nsec	-	50	100
Absolute Delay	μsec	-	1.63	-
Ultimate Attenuation	dB	50	55	-
Substrate Material	-	128-LiNbO ₃		
Temperature Coefficient	ppm/°C	-72		

Package Dimension



Matching Configuration



L1=56nH, L2=56nH, C1=14pF
 Source / Load Impedance = 50Ω
 Ambient Temperature = 25°C

01/24/2006

