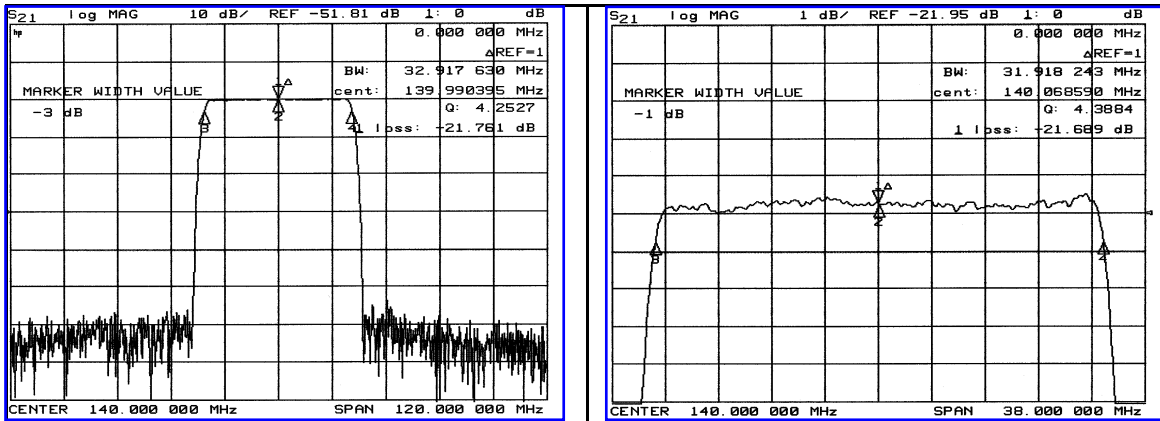


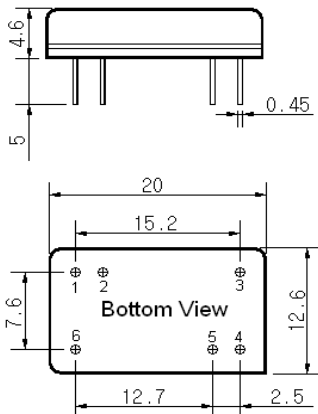
Typical Performance



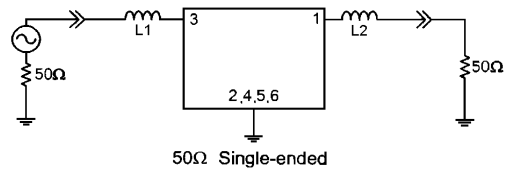
Specification

Parameter	Unit	Min.	Typ.	Max.
Center Frequency	MHz	139.85	140.00	140.15
Insertion Loss	dB	-	21.50	23.00
1dB Bandwidth	MHz	30.00	31.90	-
3dB Bandwidth	MHz	-	32.92	-
40dB Bandwidth	MHz	-	37.21	38.00
Passband Ripple	dB	-	0.50	0.80
Group Delay Variation	nsec	-	20	50
Absolute Delay	µsec	-	1.00	-
Ultimate Attenuation	dB	50	55	-
Operating Temp. Range	°C	-20	+25	+70
Substrate Material	-	128-LiNbO ₃		
Temperature Coefficient	ppm/°C	-72		

Package Dimension



Matching Configuration



L1 = 47nH , L2=47nH
 Source / Load Impedance = 50Ω
 Ambient Temperature = 25°C

07/16/2005

