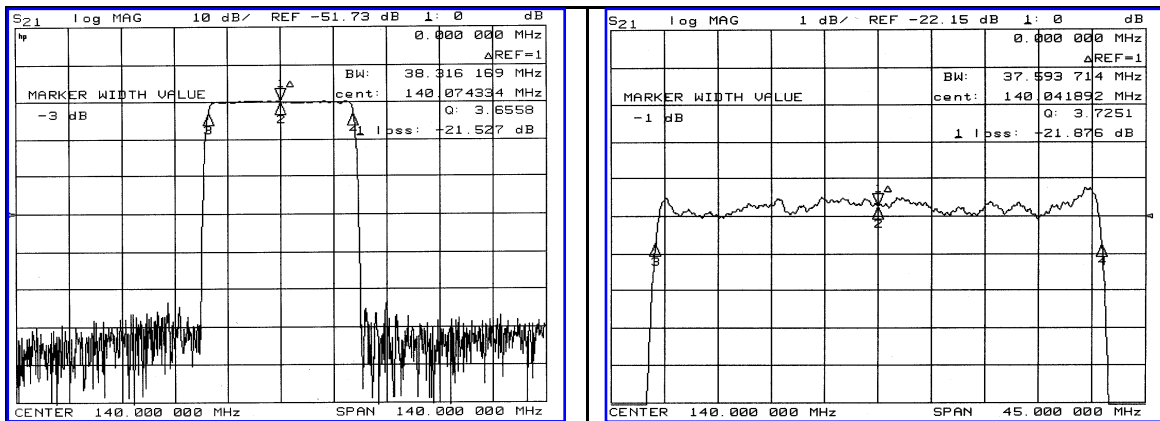


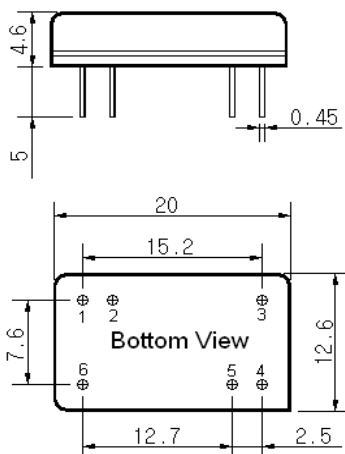
Typical Performance



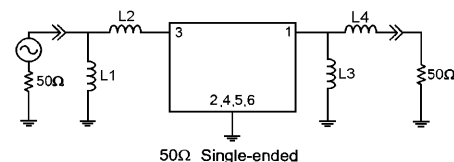
Specification

Parameter	Unit	Min.	Typ.	Max.
Center Frequency	MHz	139.80	140.00	140.20
Insertion Loss	dB	-	21.50	23.00
1dB Bandwidth	MHz	-	37.60	-
3dB Bandwidth	MHz	38.00	38.31	-
40dB Bandwidth	MHz	-	41.73	43.00
Passband Ripple	dB	-	0.75	1.00
Group Delay Variation	nsec	-	30	50
Absolute Delay	μsec	-	1.08	-
Ultimate Attenuation	dB	50	55	-
Substrate Material	-	128-LiNbO ₃		
Temperature Coefficient	ppm/°C	-72		

Package Dimension



Matching Configuration



L1=68nH, L2=56nH, L3=47nH, L4=47nH
 Source / Load Impedance = 50Ω
 Ambient Temperature = 25°C

12/16/2005

