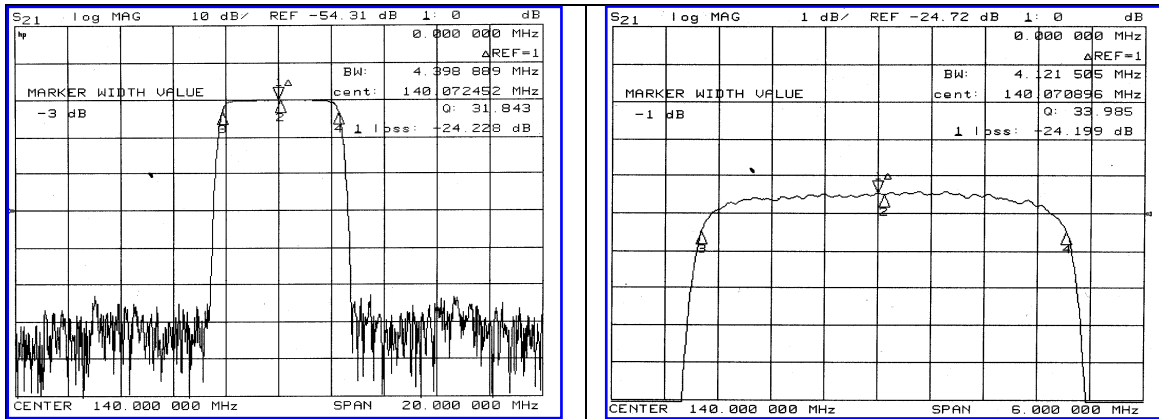


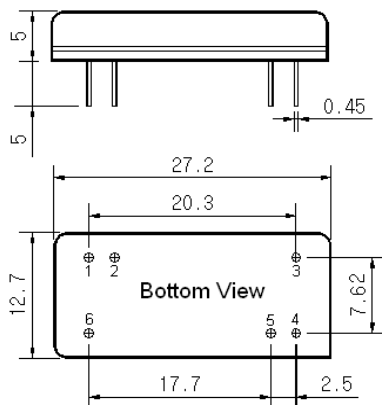
Typical Performance



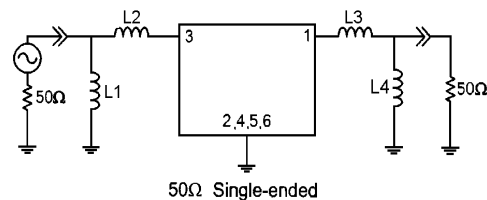
Specification

Parameter	Unit	Min.	Typ.	Max.
Center Frequency	MHz	139.90	140.00	140.10
Insertion Loss	dB	-	24.00	26.00
1dB Bandwidth	MHz	-	4.12	-
3dB Bandwidth	MHz	4.20	4.39	-
40dB Bandwidth	MHz	-	5.21	5.50
Passband Ripple	dB	-	0.55	1.00
Group Delay Variation	nsec	-	200	300
Absolute Delay	µsec	-	3.26	-
Ultimate Attenuation	dB	50	53	-
Substrate Material	-	Quartz		
Temperature Coefficient	ppm/°C ²	-0.03		

Package Dimension



Matching Configuration



L1=27nH, L2=22nH, L3=18nH, L4=18nH
 Source / Load Impedance = 50Ω
 Ambient Temperature = 25°C

01/06/2006

