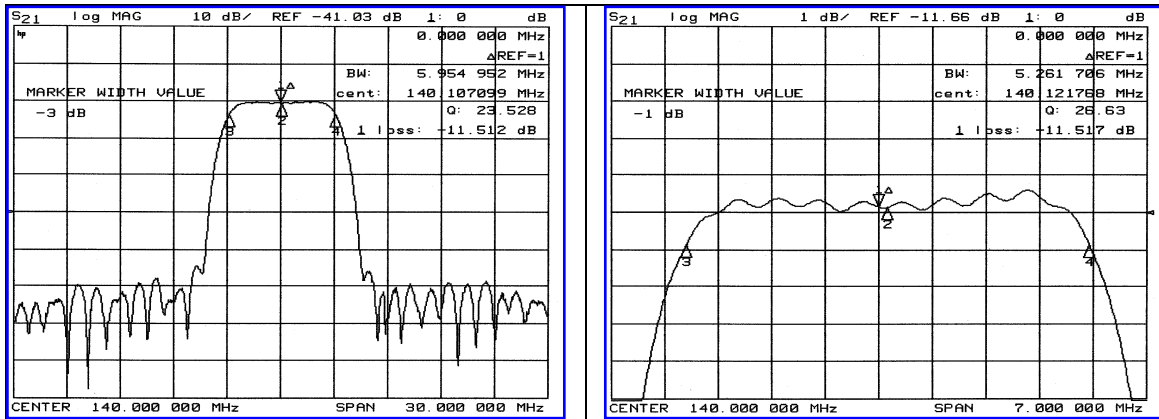


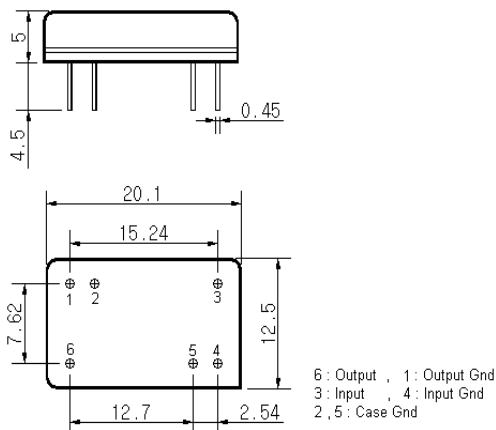
Typical Performance



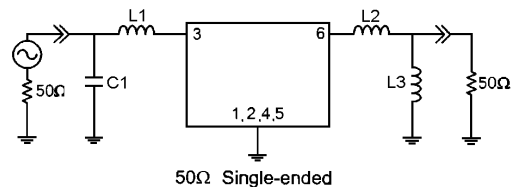
Specification

| Parameter | Unit | Min. | Typ. | Max. |
|-------------------------|--------|--------------------|--------|--------|
| Center Frequency | MHz | 139.80 | 140.00 | 140.20 |
| Insertion Loss | dB | - | 12.00 | 14.00 |
| 1dB Bandwidth | MHz | - | 5.26 | - |
| 3dB Bandwidth | MHz | 5.80 | 5.95 | - |
| 40dB Bandwidth | MHz | - | 8.65 | 9.00 |
| Passband Ripple | dB | - | 0.65 | 1.00 |
| Group Delay Variation | nsec | - | 50 | 100 |
| Absolute Delay | µsec | - | 0.91 | - |
| Ultimate Attenuation | dB | 40 | 55 | - |
| Substrate Material | - | LiTaO ₃ | | |
| Temperature Coefficient | ppm/°C | -20 | | |

Package Dimension



Matching Configuration



L1=56nH, L2=4.7nH, L3=33nH, C1=47pF
 Source / Load Impedance = 50Ω
 Ambient Temperature = 25°C

09/09/2005

