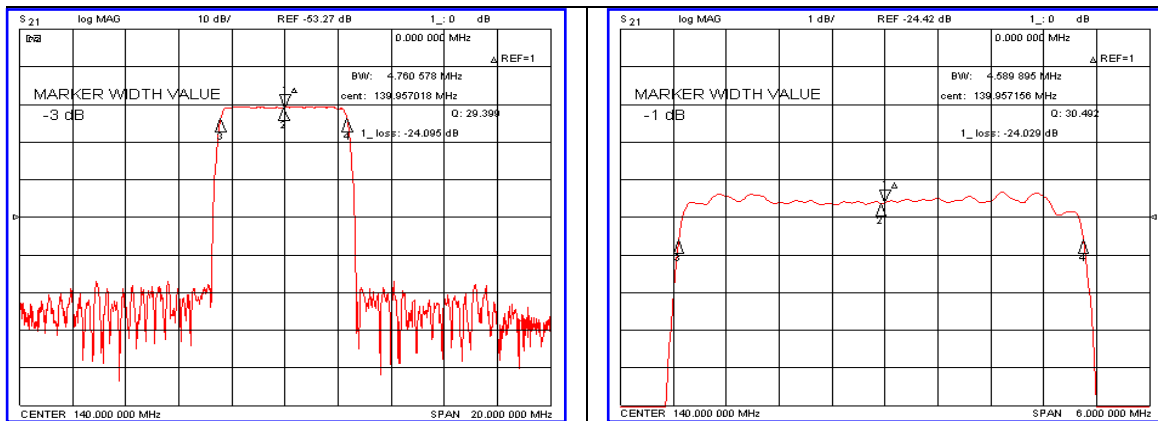


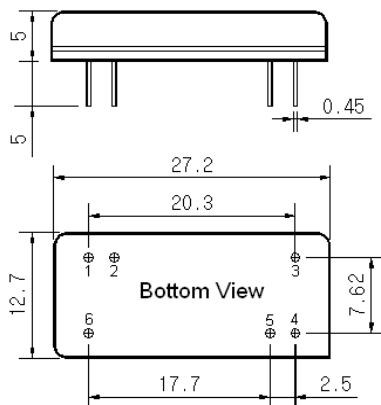
### Typical Performance



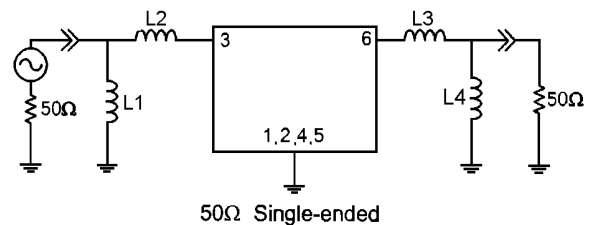
### Specification

Parameter	Unit	Min.	Typ.	Max.
Center Frequency	MHz	139.85	140.00	140.15
Insertion Loss	dB	-	24.20	26.00
1dB Bandwidth	MHz	-	4.58	-
3dB Bandwidth	MHz	4.60	4.76	-
40dB Bandwidth	MHz	-	5.40	5.50
Passband Ripple	dB	-	0.60	1.00
Group Delay Variation	nsec	-	120	200
Absolute Delay	μsec	-	2.79	-
Ultimate Attenuation	dB	-	45	-
Substrate Material	-	Quartz		
Temperature Coefficient	ppm/°C	-0.03		

### Package Dimension



### Matching Configuration



L1=L3=L4=22nH, L2=27nH  
 Source / Load Impedance = 50Ω  
 Ambient Temperature = 25°C

Rev0. 070816

