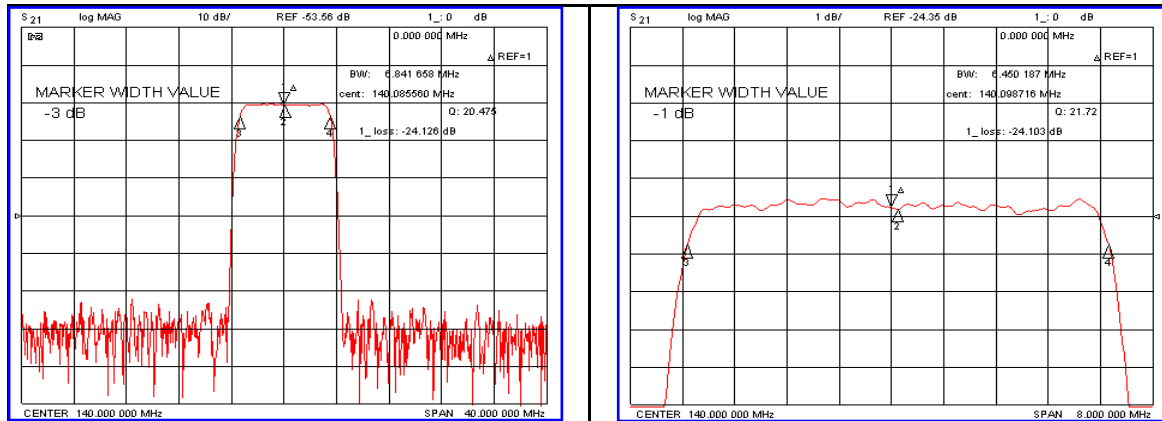


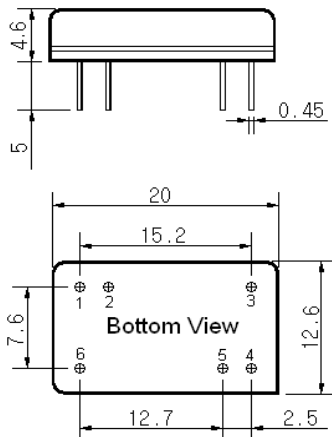
### Typical Performance



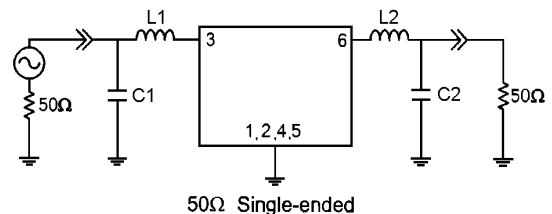
### Specification

Parameter	Unit	Min.	Typ.	Max.
Center Frequency	MHz	139.85	140.00	140.15
Insertion Loss	dB	-	24.20	26.00
1dB Bandwidth	MHz	6.30	6.45	-
3dB Bandwidth	MHz	-	6.84	-
40dB Bandwidth	MHz	-	8.33	8.50
Passband Ripple	dB	-	0.45	1.00
Group Delay Variation	nsec	-	100	200
Absolute Delay	μsec	-	1.93	-
Ultimate Attenuation	dB	47	52	-
Substrate Material	-	112-LiTaO <sub>3</sub>		
Temperature Coefficient	ppm/°C	-20		

### Package Dimension



### Matching Configuration



L1=18nH, L2=15nH, C1=56pF, C2=62pF  
 Source / Load Impedance = 50Ω  
 Ambient Temperature = 25°C

Rev0. 071026

