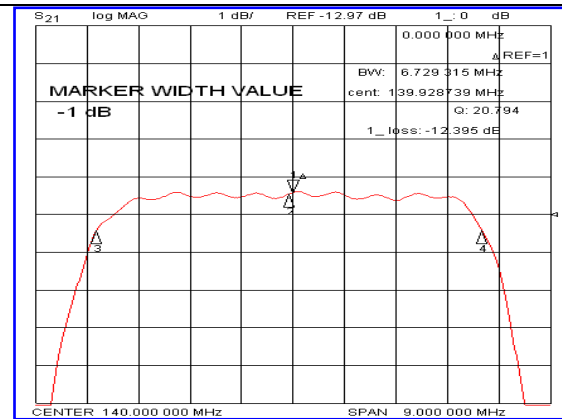
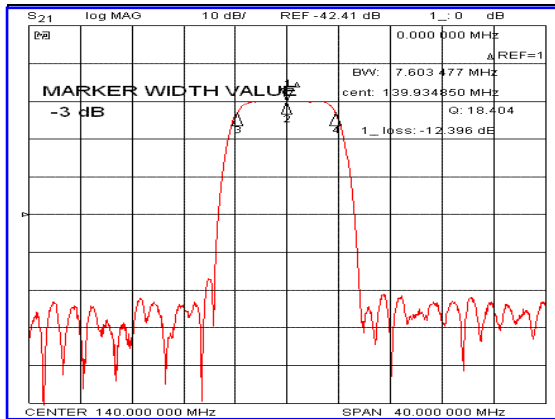


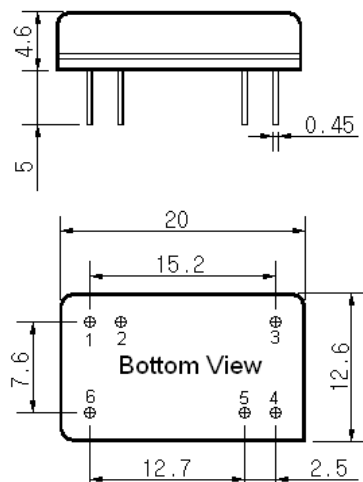
Typical Performance



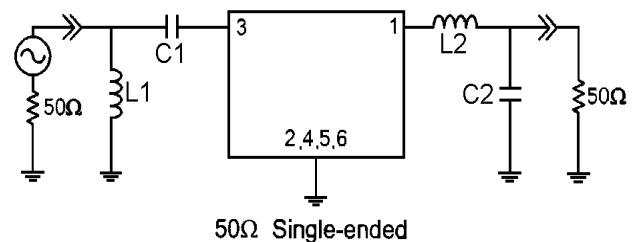
Specification

Parameter	Unit	Min.	Typ.	Max.
Center Frequency	MHz	139.80	140.00	140.20
Insertion Loss	dB	-	12.50	15.00
1dB Bandwidth	MHz	6.50	6.72	-
3dB Bandwidth	MHz	-	7.60	-
40dB Bandwidth	MHz	-	11.10	11.50
Passband Ripple	dB	-	0.50	1.00
Group Delay Variation	nsec	-	50	100
Absolute Delay	µsec	-	0.72	-
Ultimate Attenuation	dB	40	45	-
Substrate Material	-	112-LiTaO ₃		
Temperature Coefficient	ppm/°C	-20		

Package Dimension



Matching Configuration



L1=15nH, L2=15nH, C1=110pF, C2=82pF
 Source / Load Impedance = 50Ω
 Ambient Temperature = 25°C

Rev.1 101019

