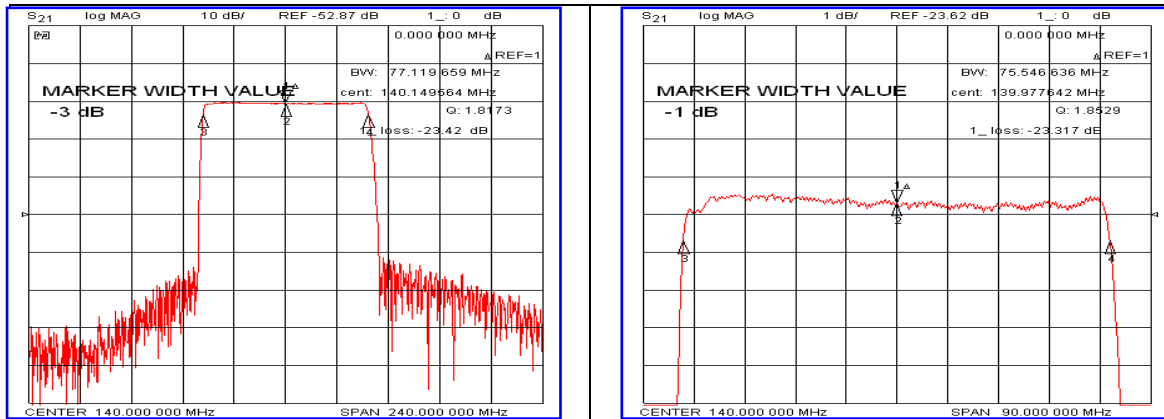


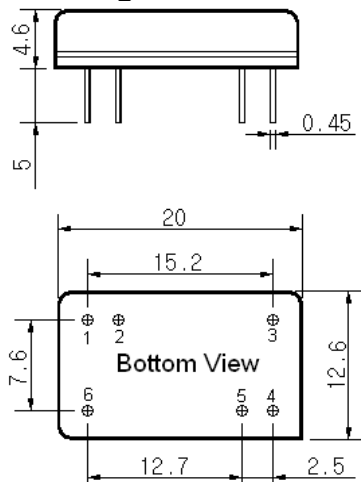
Typical Performance



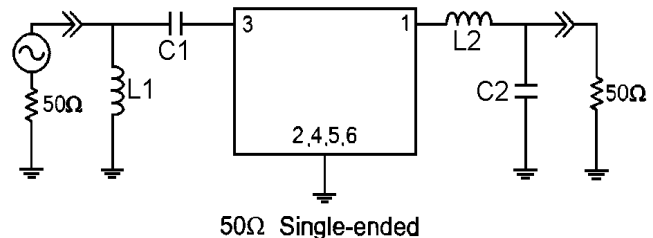
Specification

Parameter	Unit	Min.	Typ.	Max.
Center Frequency	MHz	-	140.00	-
Insertion Loss	dB	-	23.50	25.50
1dB Bandwidth	MHz	-	75.54	-
3dB Bandwidth	MHz	76.50	77.11	-
40dB Bandwidth	MHz	-	84.20	85.00
Passband Ripple(Fc ± 36MHz)	dB	-	0.60	1.00
Group Delay Variation(Fc ± 36MHz)	nsec	-	30	50
Absolute Delay	µsec	-	0.68	-
Ultimate Attenuation	dB	40	45	-
Substrate Material	-	128-LiNbO ₃		
Temperature Coefficient	ppm/°C	-72		

Package Dimension



Matching Configuration



L1=68nH, L2=22nH, C1=120pF, C2=20pF
 Source / Load Impedance = 50Ω
 Ambient Temperature = 25°C

Rev1. 101129

