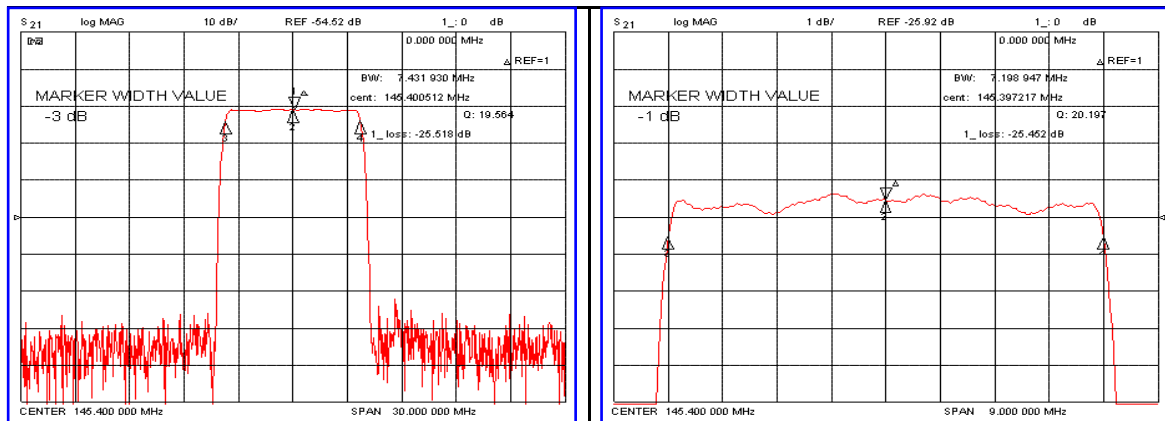


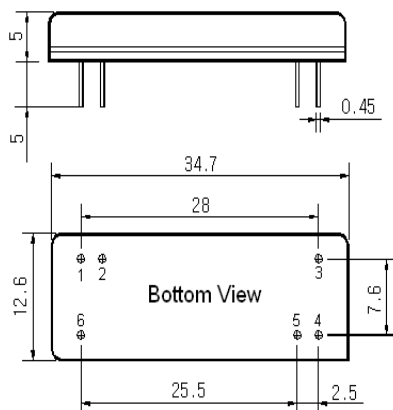
Typical Performance



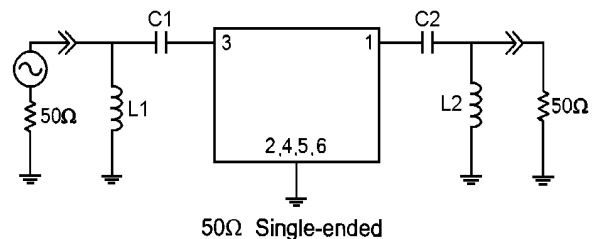
Specification

Parameter	Unit	Min.	Typ.	Max.
Center Frequency (Fc)	MHz	145.25	145.40	145.55
Insertion Loss	dB	-	25.50	27.50
1dB Bandwidth	MHz	-	7.20	-
3dB Bandwidth	MHz	7.30	7.43	-
40dB Bandwidth	MHz	-	8.34	8.50
Passband Ripple	dB	-	0.60	1.00
Group Delay Variation	nsec	-	60	150
Absolute Delay	μsec	-	3.90	-
Ultimate Attenuation	dB	50	55	-
Substrate Material	-	112-LiTaO ₃		
Temperature Coefficient	ppm/°C	-20		

Package Dimension



Matching Configuration



L1=27nH, L2=33nH, C1=68pF, C2=68pF
 Source / Load Impedance = 50Ω
 Ambient Temperature = 25°C

10/20/2006

