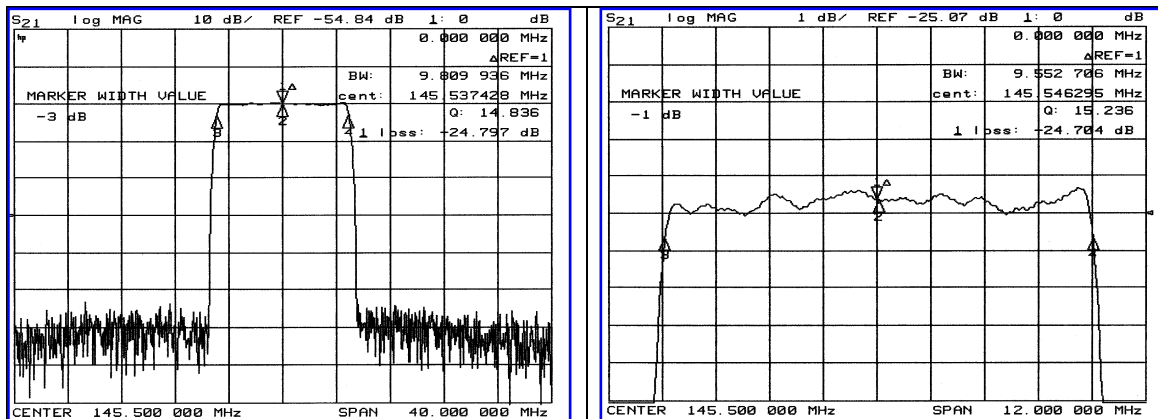


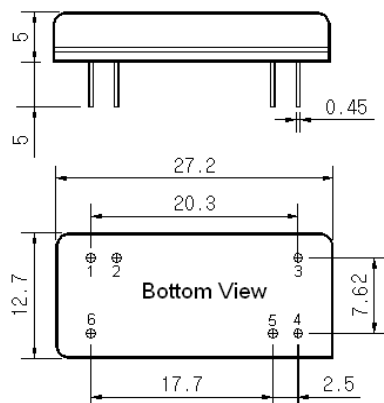
Typical Performance



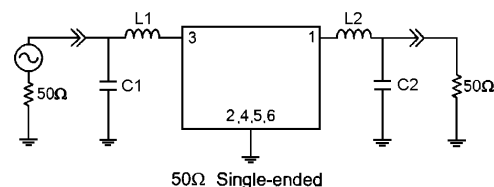
Specification

Parameter	Unit	Min.	Typ.	Max.
Center Frequency	MHz	145.35	145.50	145.65
Insertion Loss	dB	-	24.50	26.00
1dB Bandwidth	MHz	9.30	9.55	-
3dB Bandwidth	MHz	9.60	9.80	-
40dB Bandwidth	MHz	-	10.87	11.00
50dB Bandwidth	MHz	-	10.96	-
Passband Ripple	DB	-	0.75	1.00
Group Delay Variation	nsec	-	80	150
Absolute Delay	μsec	-	3.2	-
Ultimate Attenuation	dB	50	55	-
Substrate Material	-	LiTaO ₃		
Temperature Coefficient	ppm/°C	-20		

Package Dimension



Matching Configuration



L₁=39nH, L₂=39nH, C₁=47pF, C₂=51pF
 Source / Load Impedance = 50Ω
 Ambient Temperature = 25°C

04/12/2005

