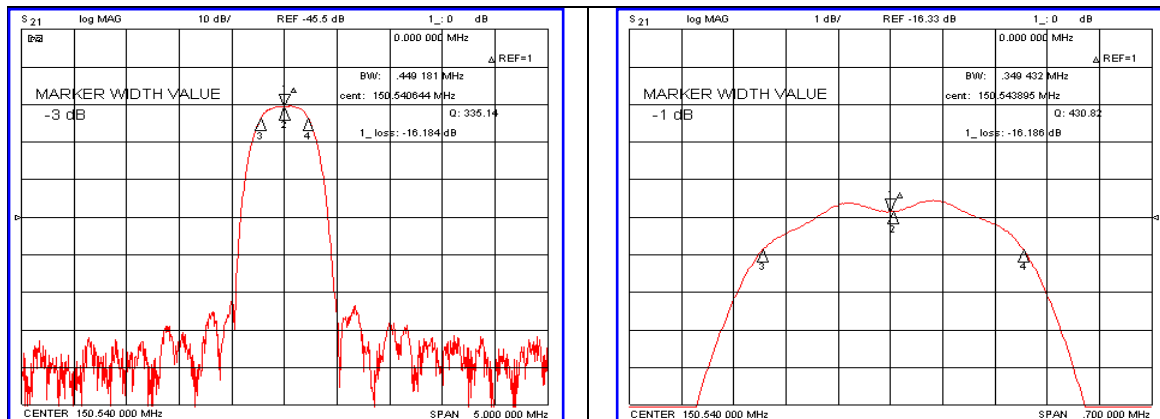


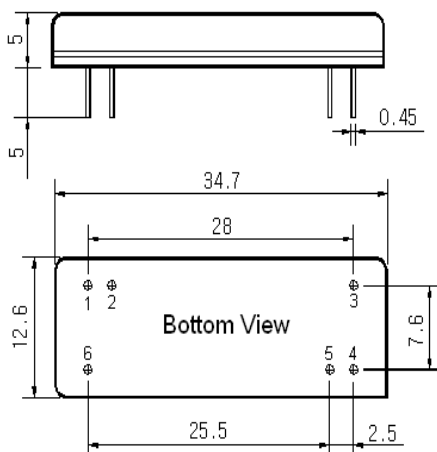
Typical Performance



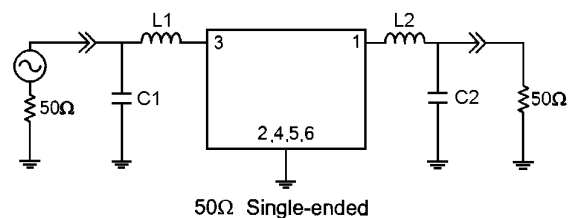
Specification

Parameter	Unit	Min.	Typ.	Max.
Center Frequency	MHz	150.44	150.54	150.64
Insertion Loss	dB	-	16.18	19.00
1dB Bandwidth	MHz	-	0.34	-
3dB Bandwidth	MHz	0.35	0.44	-
40dB Bandwidth	MHz	-	0.89	1.00
Passband Ripple	dB	-	0.60	1.00
Group Delay Variation	nsec	-	400	600
Absolute Delay	μsec	-	4.00	-
Ultimate Attenuation	dB	48	53	-
Substrate Material	-	Quartz		
Temperature Coefficient	ppm/°C	-0.03		

Package Dimension



Matching Configuration



L1= L2=12nH, C1=C2=47pF
 Source / Load Impedance = 50Ω
 Ambient Temperature = 25°C

Rev0. 071009

