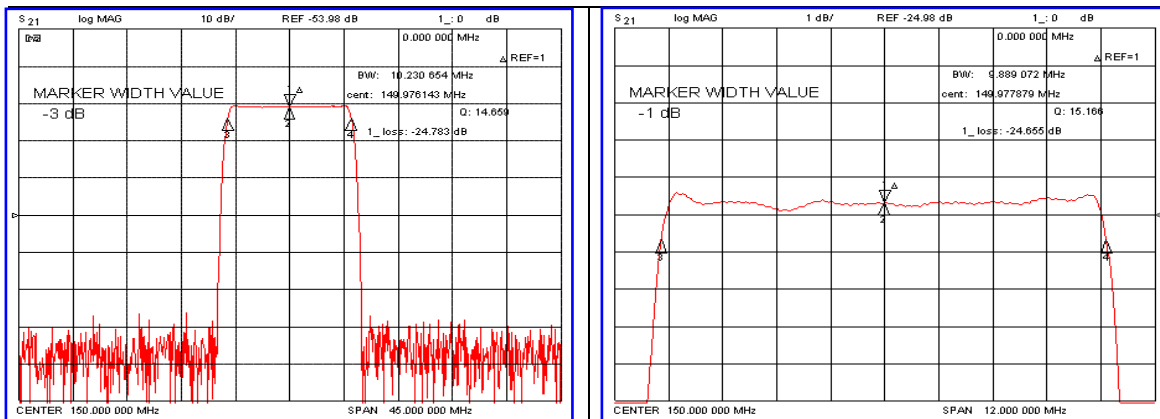


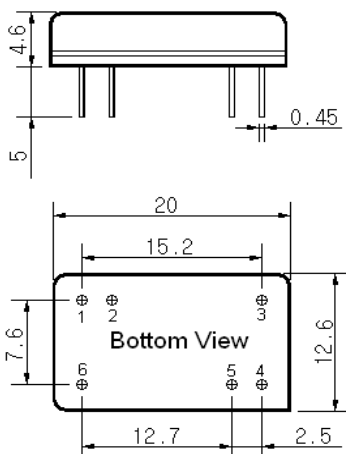
Typical Performance



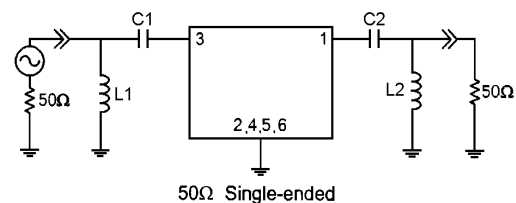
Specification

Parameter	Unit	Min.	Typ.	Max.
Center Frequency	MHz	149.85	150.00	150.15
Insertion Loss	dB	-	24.80	26.00
1dB Bandwidth	MHz	-	9.88	-
3dB Bandwidth	MHz	10.00	10.23	-
40dB Bandwidth	MHz	-	11.69	11.90
Passband Ripple	dB	-	0.55	1.00
Group Delay Variation	nsec	-	50	100
Absolute Delay	μsec	-	2.91	-
Ultimate Attenuation	dB	50	55	-
Substrate Material	-	112-LiTaO ₃		
Temperature Coefficient	ppm/°C	-20		

Package Dimension



Matching Configuration



L1= L2=39nH, C1=120pF, C2=120pF
 Source / Load Impedance = 50Ω
 Ambient Temperature = 25°C

10/11/2006

