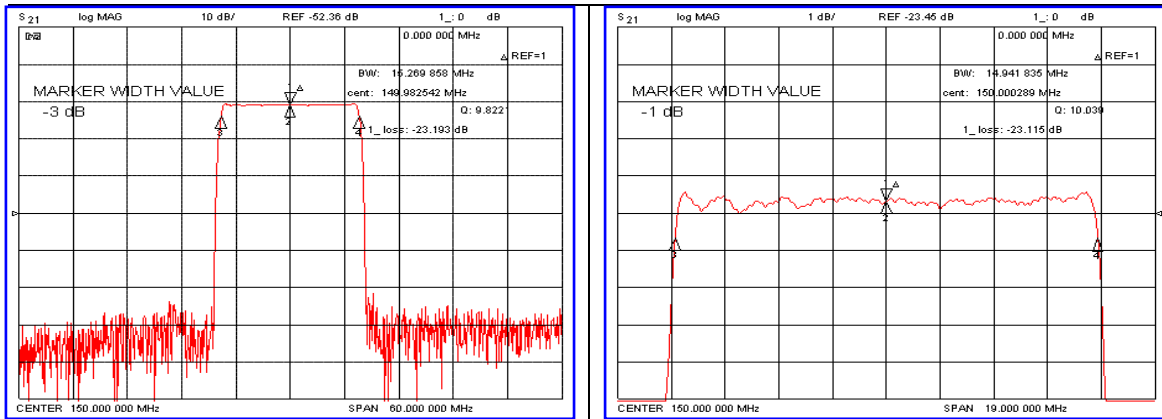


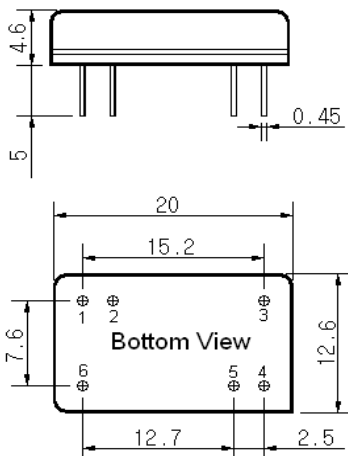
Typical Performance



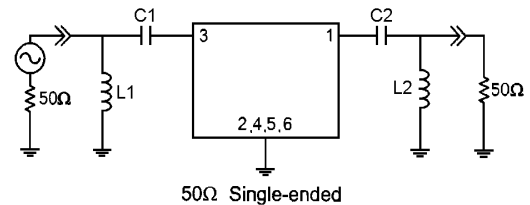
Specification

Parameter	Unit	Min.	Typ.	Max.
Center Frequency	MHz	149.85	150.00	150.15
Insertion Loss	dB	-	23.50	25.00
1dB Bandwidth	MHz	-	14.94	-
3dB Bandwidth	MHz	15.00	15.26	-
40dB Bandwidth	MHz	-	16.62	16.80
Passband Ripple	dB	-	0.55	1.00
Group Delay Variation	nsec	-	100	200
Absolute Delay	μsec	-	2.18	-
Ultimate Attenuation	dB	50	55	-
Substrate Material	-	128-LiNbO ₃		
Temperature Coefficient	ppm/°C	-72		

Package Dimension



Matching Configuration



L1= L2=82nH, C1=56pF, C2=56pF
 Source / Load Impedance = 50Ω
 Ambient Temperature = 25°C

10/11/2006

