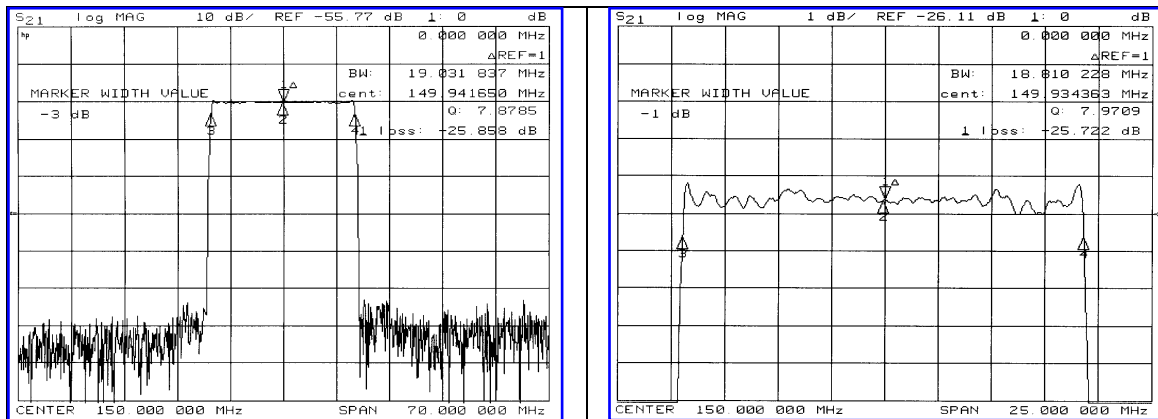


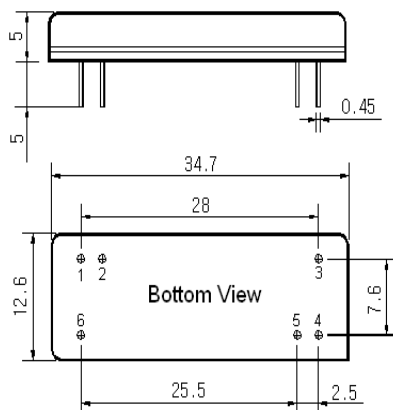
### Typical Performance



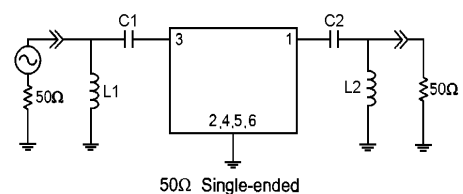
### Specification

Parameter	Unit	Min.	Typ.	Max.
Center Frequency	MHz	149.85	150.00	150.15
Insertion Loss	dB	-	26.00	27.50
1dB Bandwidth	MHz	-	18.81	-
3dB Bandwidth	MHz	19.00	19.03	-
25dB Bandwidth	MHz	-	19.82	-
35dB Bandwidth	MHz	-	19.98	-
Passband Ripple	dB	-	0.75	1.00
Group Delay Variation	nsec	-	100	200
Absolute Delay	μsec	-	2.77	-
Ultimate Attenuation	dB	50	52	-
Substrate Material	-	128-LiNbO <sub>3</sub>		
Temperature Coefficient	ppm/°C	-72		

### Package Dimension



### Matching Configuration



L1=47nH, L2=100nH, C1=75pF, C2=68pF  
 Source / Load Impedance = 50Ω  
 Ambient Temperature = 25°C

05/15/2006

