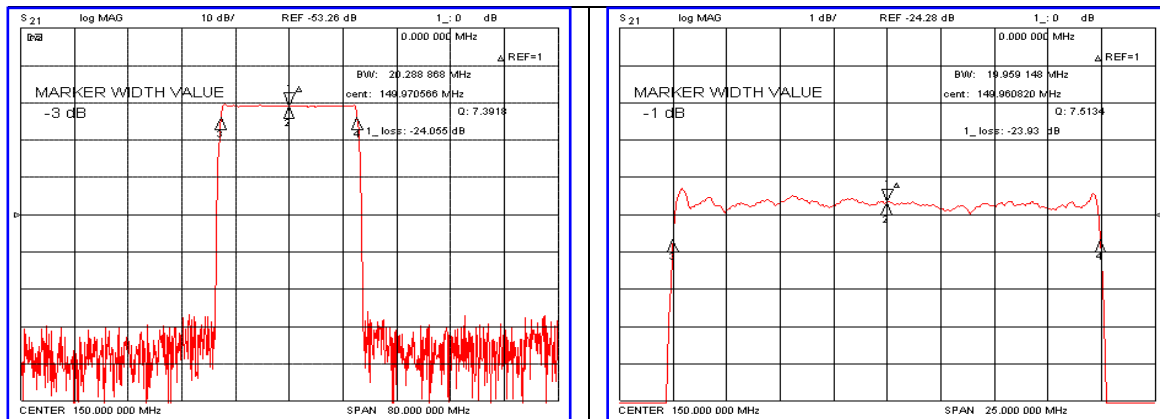


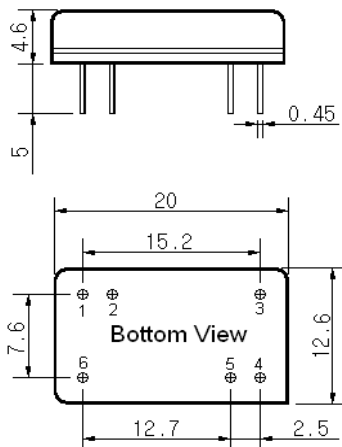
Typical Performance



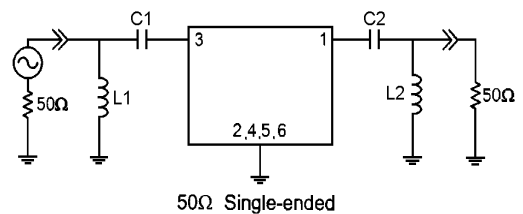
Specification

Parameter	Unit	Min.	Typ.	Max.
Center Frequency	MHz	149.85	150.00	150.15
Insertion Loss	dB	-	23.50	25.00
1dB Bandwidth	MHz	-	19.95	-
3dB Bandwidth	MHz	20.00	20.28	-
40dB Bandwidth	MHz	-	21.73	21.90
Passband Ripple	dB	-	0.65	1.00
Group Delay Variation	nsec	-	60	150
Absolute Delay	μsec	-	2.13	-
Ultimate Attenuation	dB	50	55	-
Substrate Material	-	128-LiNbO ₃		
Temperature Coefficient	ppm/°C	-72		

Package Dimension



Matching Configuration



L1=82nH, L2=68nH, C1= C2=68pF
 Source / Load Impedance = 50Ω
 Ambient Temperature = 25°C

10/11/2006

