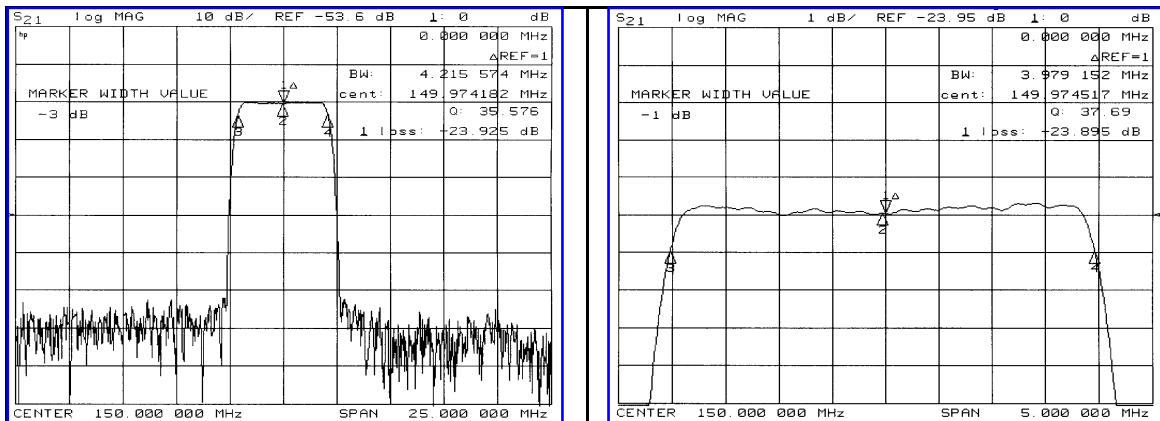


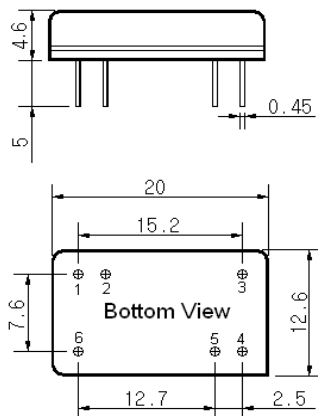
Typical Performance



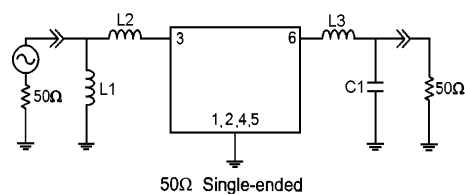
Specification

Parameter	Unit	Min.	Typ.	Max.
Center Frequency	MHz	149.85	150.00	150.15
Insertion Loss	dB	-	24.00	25.50
1dB Bandwidth	MHz	-	3.97	-
3dB Bandwidth	MHz	4.00	4.21	-
25dB Bandwidth	MHz	-	4.96	-
35dB Bandwidth	MHz	-	5.11	-
Passband Ripple	dB	-	0.45	1.00
Group Delay Variation	nsec	-	100	200
Absolute Delay	µsec	-	2.42	-
Ultimate Attenuation	dB	45	52	-
Substrate Material	-	Quartz		
Temperature Coefficient	ppm/°C ²	-0.03		

Package Dimension



Matching Configuration



L1=22nH, L2=18nH, L3=56nH, C1=51pF
 Source / Load Impedance = 50Ω
 Ambient Temperature = 25°C

05/15/2006

