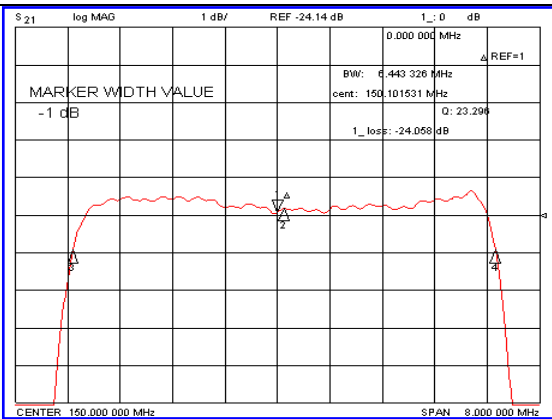
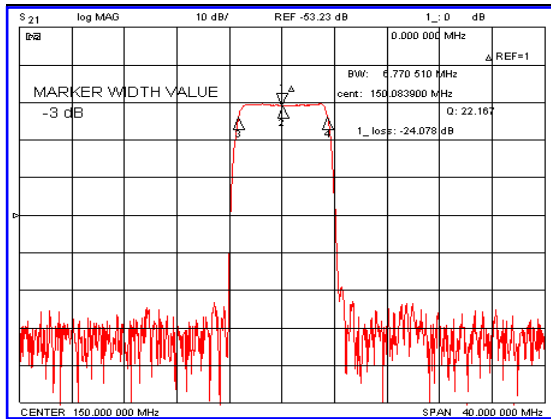


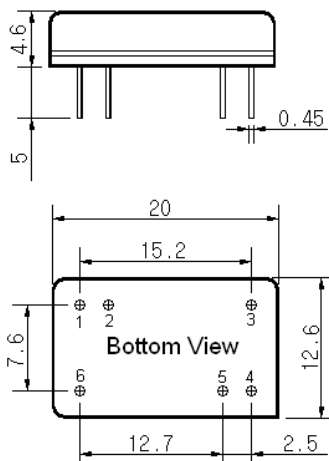
Typical Performance



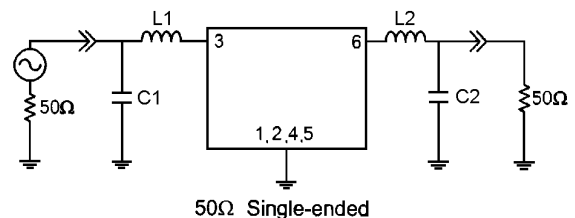
Specification

Parameter	Unit	Min.	Typ.	Max.
Center Frequency	MHz	149.85	150.00	150.15
Insertion Loss	dB	-	24.10	26.00
1dB Bandwidth	MHz	6.30	6.44	-
3dB Bandwidth	MHz	-	6.77	-
40dB Bandwidth	MHz	-	8.20	8.50
Passband Ripple	dB	-	0.60	1.00
Group Delay Variation	nsec	-	100	200
Absolute Delay	µsec	-	1.90	-
Ultimate Attenuation	dB	47	50	-
Substrate Material	-	112-LiTaO ₃		
Temperature Coefficient	ppm/°C	-20		

Package Dimension



Matching Configuration



L1=15nH, L2=12nH, C1=51pF, C2=68pF
 Source / Load Impedance = 50Ω
 Ambient Temperature = 25°C

Rev0. 0701026

