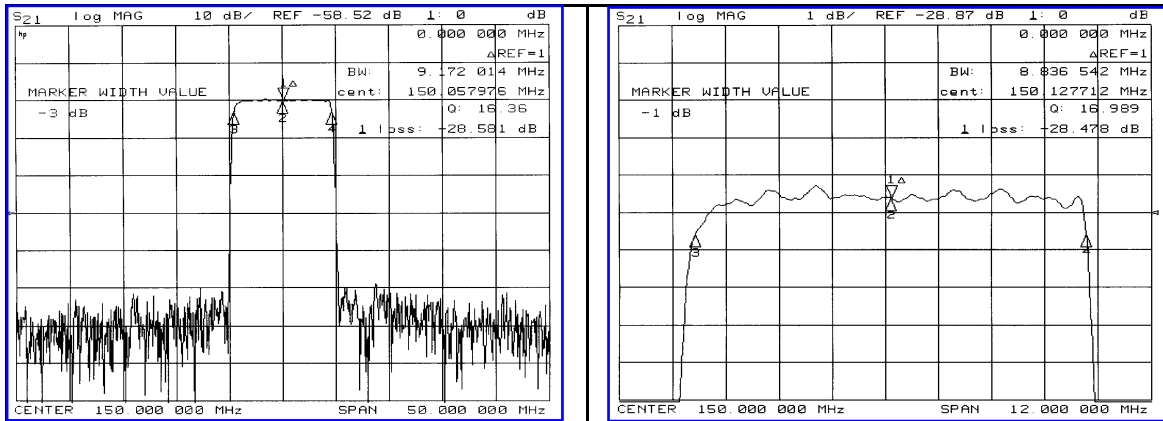


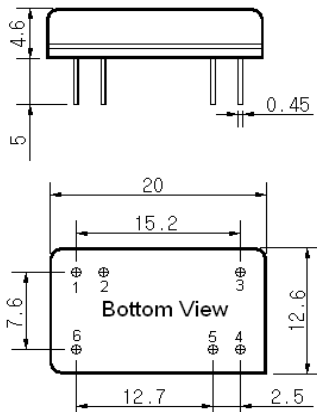
### Typical Performance



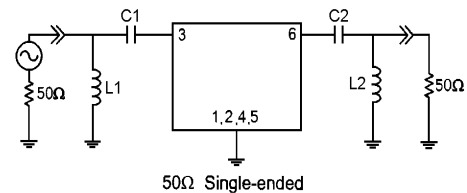
### Specification

Parameter	Unit	Min.	Typ.	Max.
Center Frequency	MHz	149.85	150.00	150.15
Insertion Loss	dB	-	28.50	-
1dB Bandwidth	MHz	-	8.83	-
3dB Bandwidth	MHz	-	9.17	-
25dB Bandwidth	MHz	-	9.92	-
35dB Bandwidth	MHz	-	10.06	-
Passband Ripple	dB	-	0.65	1.00
Group Delay Variation	nsec	-	100	200
Absolute Delay	μsec	-	2.27	-
Ultimate Attenuation	dB	45	50	-
Substrate Material	-	112-LT		
Temperature Coefficient	ppm/°C	-20		

### Package Dimension



### Matching Configuration



L1=15nH, L2=15nH, C1=68pF, C2=62pF  
 Source / Load Impedance = 50Ω  
 Ambient Temperature = 25°C

06/03/2006

