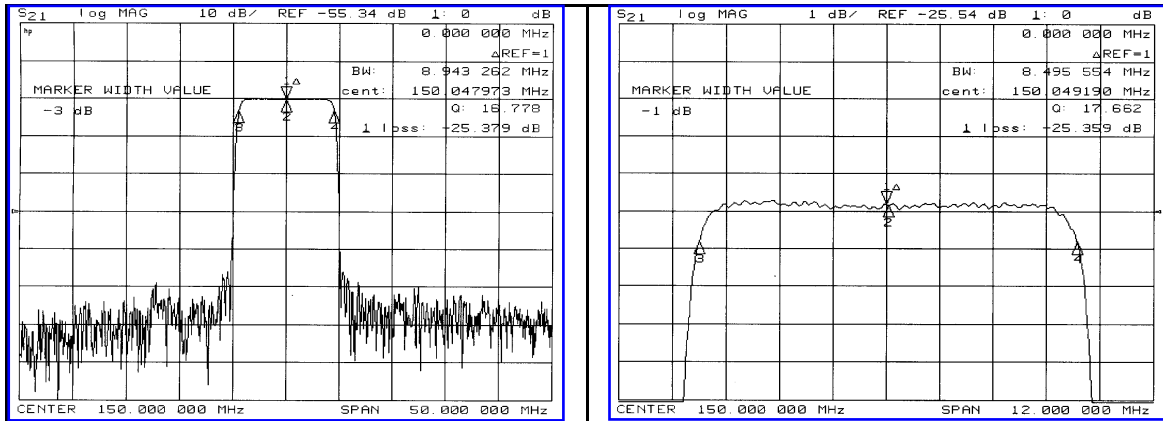


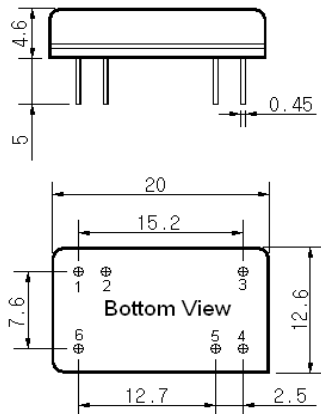
Typical Performance



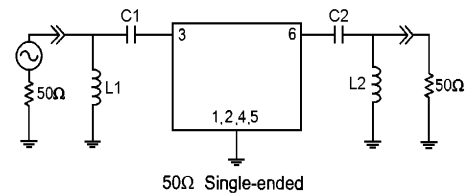
Specification

Parameter	Unit	Min.	Typ.	Max.
Center Frequency	MHz	149.85	150.00	150.15
Insertion Loss	dB	-	25.50	27.00
1dB Bandwidth	MHz	-	8.49	-
3dB Bandwidth	MHz	-	8.93	-
25dB Bandwidth	MHz	-	9.88	-
35dB Bandwidth	MHz	-	10.06	-
Passband Ripple	dB	-	0.45	1.00
Group Delay Variation	nsec	-	100	200
Absolute Delay	µsec	-	2.23	-
Ultimate Attenuation	dB	45	50	-
Substrate Material	-	112-LT		
Temperature Coefficient	ppm/°C	-20		

Package Dimension



Matching Configuration



L1=22nH, L2=15nH, C1=56pF, C2=62pF
 Source / Load Impedance = 50Ω
 Ambient Temperature = 25°C

05/15/2006

