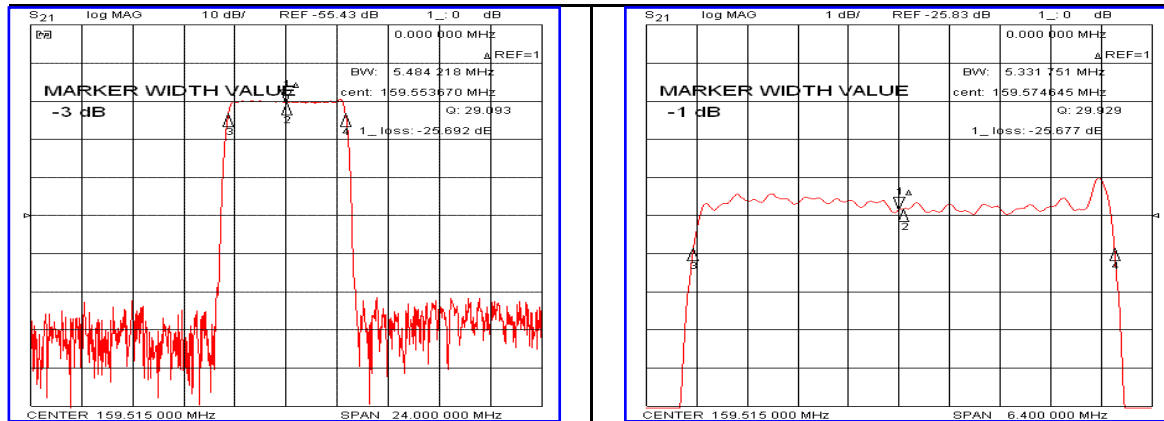


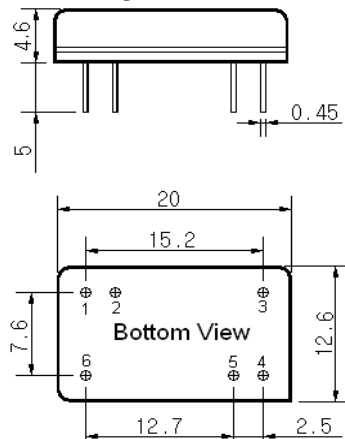
### Typical Performance



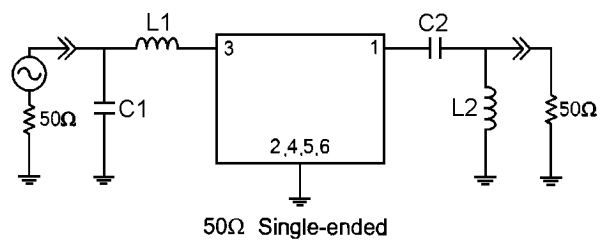
### Specification

Parameter	Unit	Min.	Typ.	Max.
Center Frequency	MHz	-	159.515	-
Insertion Loss	dB	-	25.70	27.50
1dB Bandwidth	MHz	5.10	5.33	-
40dB Bandwidth	MHz	-	6.23	6.35
Passband Ripple( $F_c \pm 2.46$ MHz)	dB	-	0.76	1.20
Ultimate Attenuation	dB	40	47	-
Absolute Delay	$\mu$ sec	-	2.47	-
Relative Attenuation				
157.06M-0.555MHz Point	dB	-	23	-
161.98M+0.7MHz Point	dB	-	45	-
Substrate Material	-	112-LiTaO <sub>3</sub>		
Temperature Coefficient	ppm/ $^{\circ}$ C	-20		

### Package Dimension



### Matching Configuration



L1=2.2nH, L2=27nH, C1=110pF, C2=43pF  
 Source / Load Impedance = 50 $\Omega$   
 Ambient Temperature = 25 $^{\circ}$ C

Rev 0. 120327

