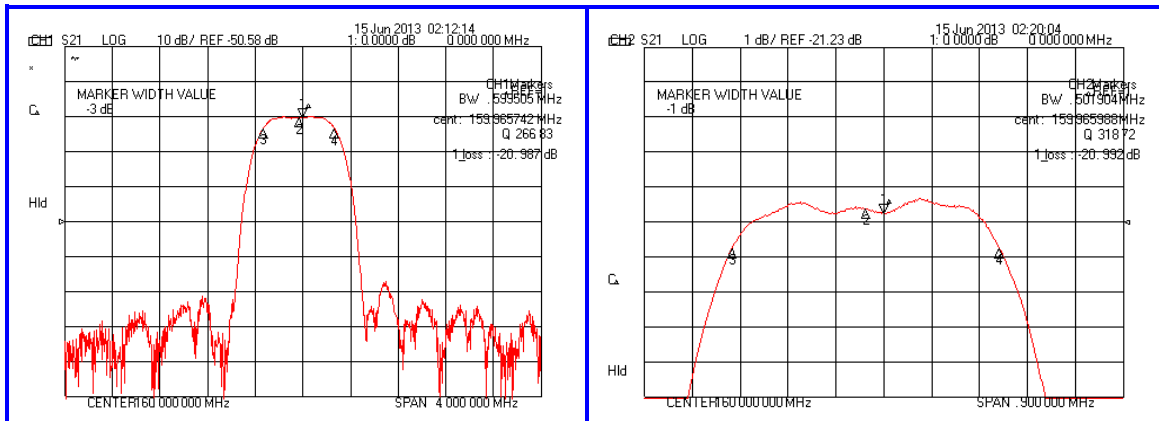


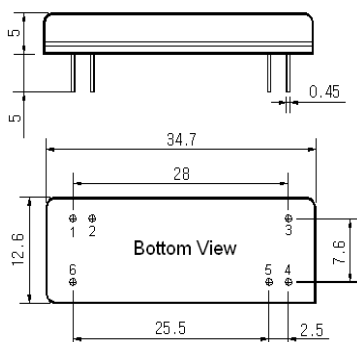
Typical Performance



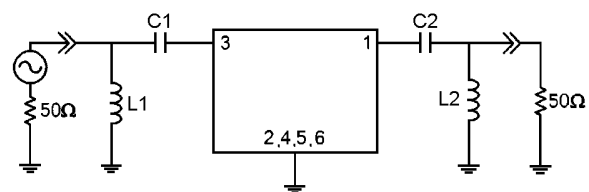
Specification

Parameter	Unit	Min.	Typ.	Max.	
Center Frequency	MHz	159.92	160.00	160.08	
Insertion Loss	dB	-	21.00	23.00	
1dB Bandwidth	MHz	0.40	0.50	-	
3dB Bandwidth	MHz	-	0.59	-	
40dB Bandwidth	MHz	-	1.01	1.20	
Out of Band Gain	159.5MHz	dB	15	35	-
	160.5MHz	dB	15	35	-
Attenuation	dB	40	45	-	
Amplitude Ripple	dB	-	0.50	1.00	
Group Delay Variation	nsec	-	430	600	
Absolute Delay	µsec	-	4.51	-	
Substrate Material & T.C.F	ppm/°C	Quartz & -0.032			
Package	mm	35 X 12 (DIP)			

Package Dimension



Matching Configuration



50Ω Single-ended
 L1=15nH, L2=12nH, C1=56pF, C2=56pF
 Source / Load Impedance = 50Ω
 Ambient Temperature = 25°C

Rev0. 130618

