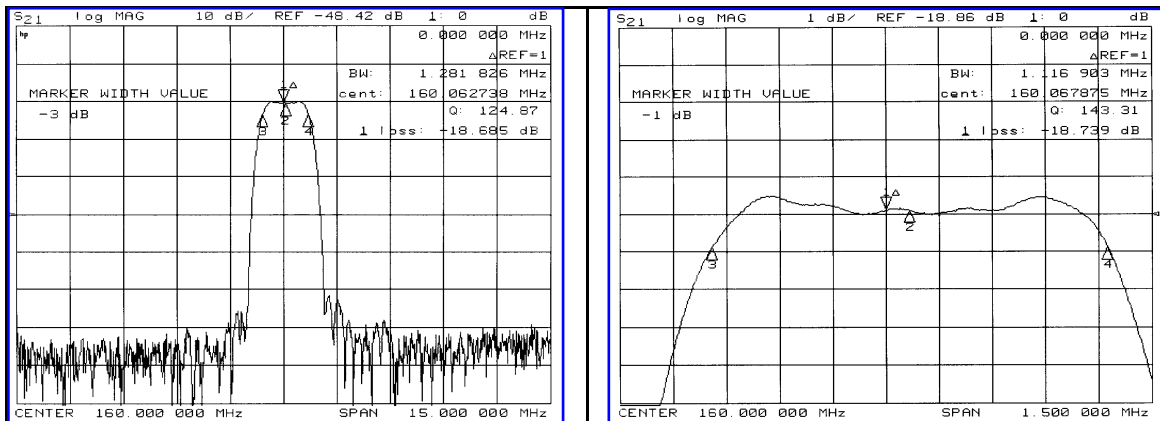


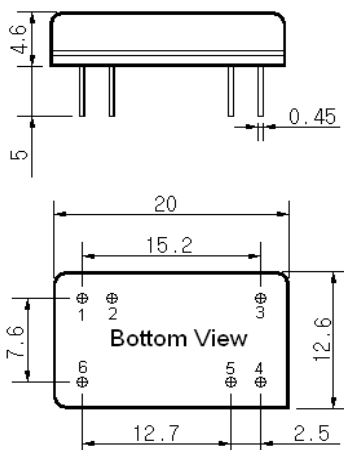
### Typical Performance



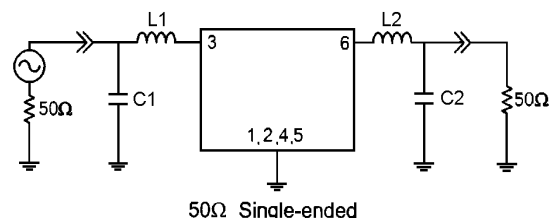
### Specification

| Parameter               | Unit                | Min.   | Typ.   | Max.   |
|-------------------------|---------------------|--------|--------|--------|
| Center Frequency        | MHz                 | 159.88 | 160.00 | 160.12 |
| Insertion Loss          | dB                  | -      | 19.00  | 20.50  |
| 1dB Bandwidth           | MHz                 | -      | 1.11   | -      |
| 3dB Bandwidth           | MHz                 | 1.23   | 1.28   | -      |
| 40dB Bandwidth          | MHz                 | -      | 2.04   | 2.30   |
| Passband Ripple         | dB                  | -      | 0.55   | 1.00   |
| Group Delay Variation   | nsec                | -      | 200    | 300    |
| Absolute Delay          | μsec                | -      | 2.63   | -      |
| Ultimate Attenuation    | dB                  | 48     | 52     | -      |
| Substrate Material      | -                   | Quartz |        |        |
| Temperature Coefficient | ppm/°C <sup>2</sup> | -0.03  |        |        |

### Package Dimension



### Matching Configuration



L1=L3=27nH, C1=47nH, C2=33pF  
 Source / Load Impedance = 50Ω  
 Ambient Temperature = 25°C

05/17/2006

