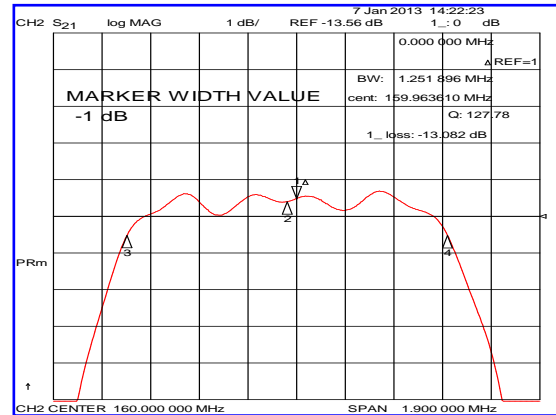
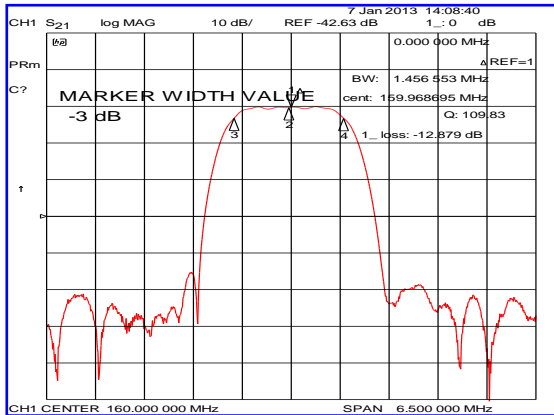


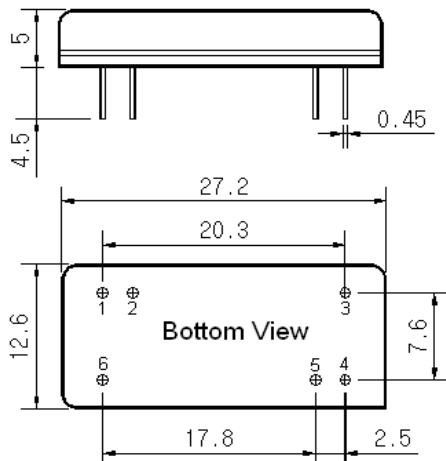
Typical Performance



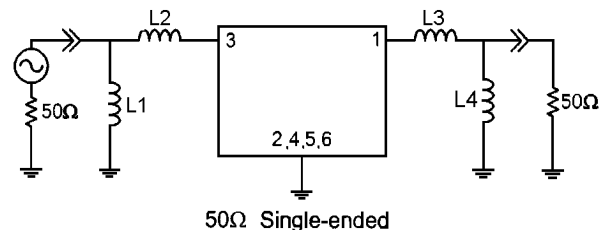
Specification

Parameter	Unit	Min.	Typ.	Max.
Center Frequency	Mhz	159.85	160.00	160.15
Insertion Loss	dB	-	12.90	14.50
1dB Bandwidth	Mhz	1.15	1.25	-
3dB Bandwidth	Mhz	1.35	1.45	-
40dB Bandwidth	Mhz	-	2.38	2.50
Passband Ripple	dB	-	0.65	1.00
Group Delay Variation	nsec	-	220	400
Absolute Delay	µsec	-	2.2	-
Ultimate Attenuation	dB	40	46	-
Substrate Material	-	Quartz		
Temperature Coefficient	ppm/°C	-0.03		

Package Dimension



Matching Configuration



Inductor Type : Coil Type High Q
L1=12nH, L2=18nH, L3=15nH, L4=12nH
 Source / Load Impedance = 50Ω
 Ambient Temperature = 25°C

Rev0. 130115

