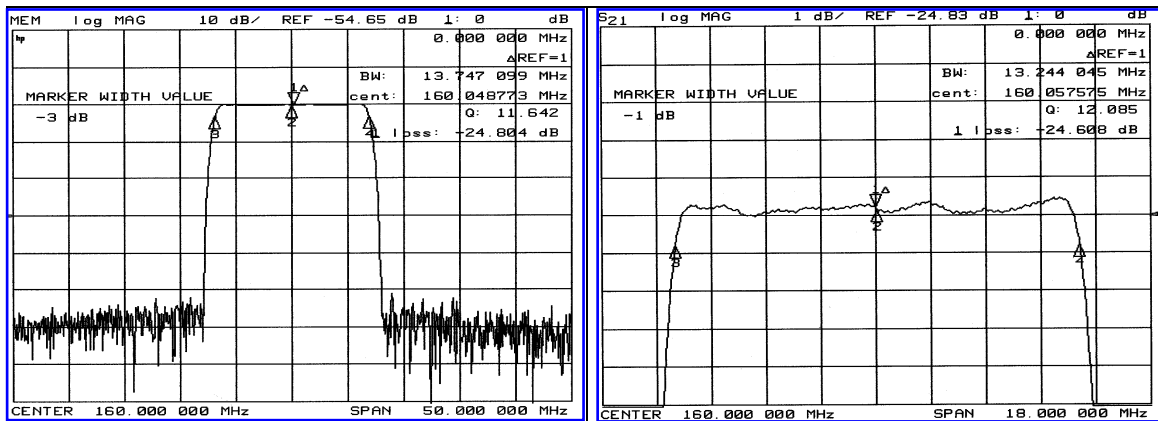


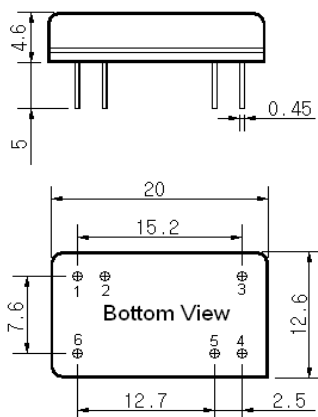
Typical Performance



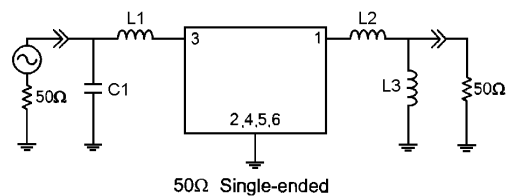
Specification

Parameter	Unit	Min.	Typ.	Max.
Center Frequency (Fc)	Mhz	-	160.00	-
Insertion Loss	dB	-	24.80	26.00
1dB Bandwidth	Mhz	13.00	13.24	-
3dB Bandwidth	Mhz	13.50	13.74	-
40dB Bandwidth	Mhz	-	15.69	15.90
50dB Bandwidth	Mhz	-	15.88	-
Passband Ripple	dB	-	0.55	1.00
Group Delay Variation	nsec	-	50	100
Absolute Delay	μsec	-	2.23	-
Ultimate Attenuation	dB	50	55	-
Substrate Material	-	LiTaO ₃		
Temperature Coefficient	ppm/°C ²	-20		

Package Dimension



Matching Configuration



L1=47nH, L2=3.9nH, L3=22nH, C1=36pF
 Source / Load Impedance = 50Ω
 Ambient Temperature = 25°C

03/15/2005

