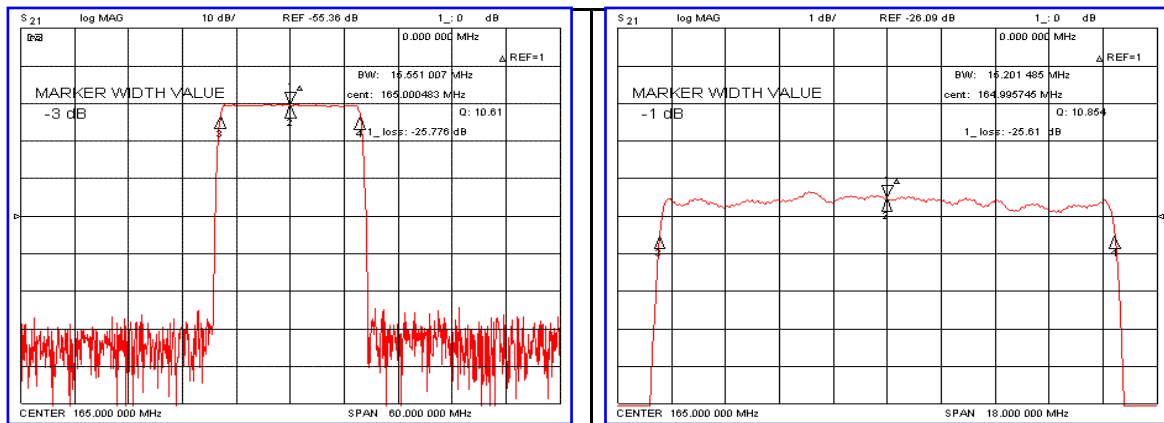


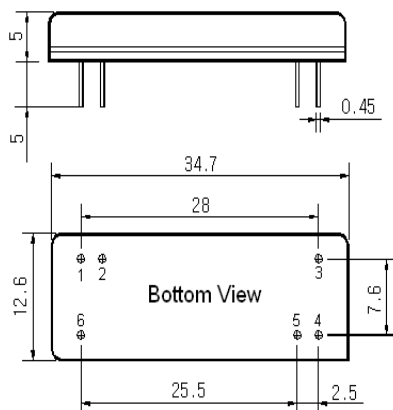
Typical Performance



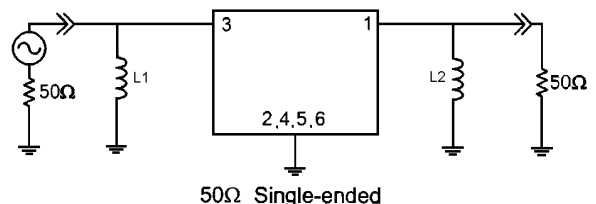
Specification

Parameter	Unit	Min.	Typ.	Max.
Center Frequency (Fc)	MHz	159.85	160.00	160.15
Insertion Loss	dB	-	25.77	28.00
1dB Bandwidth	MHz	-	15.20	-
3dB Bandwidth	MHz	15.40	15.55	-
40dB Bandwidth	MHz	-	16.95	17.20
Passband Ripple	dB	-	0.55	1.00
Group Delay Variation	nsec	-	50	100
Absolute Delay	μsec	-	2.89	-
Ultimate Attenuation	dB	50	55	-
Substrate Material	-	112-LiTaO ₃		
Temperature Coefficient	ppm/°C	-20		

Package Dimension



Matching Configuration



L1=15nH, L2=22nH
 Source / Load Impedance = 50Ω
 Ambient Temperature = 25°C

09/22/2006

