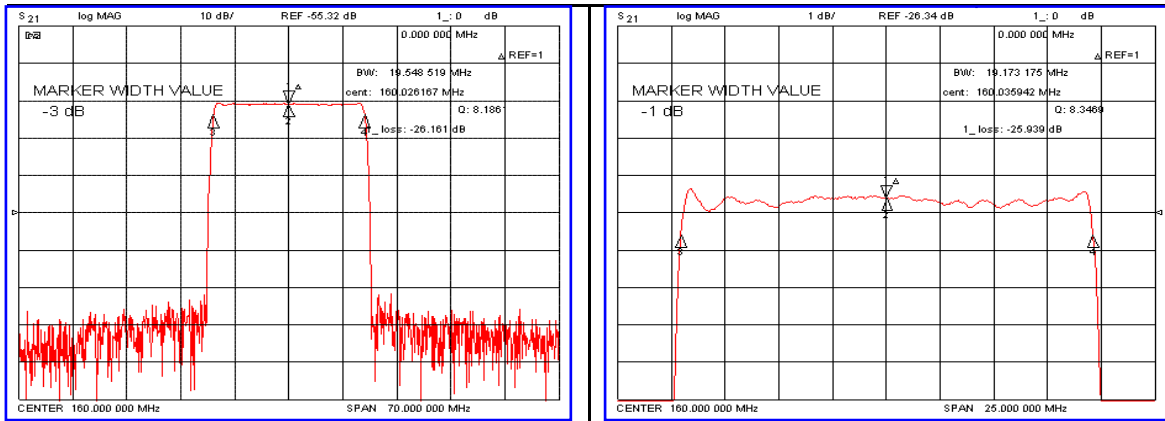


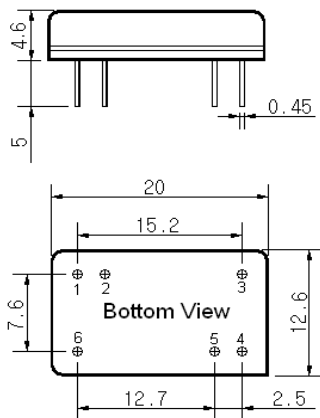
### Typical Performance



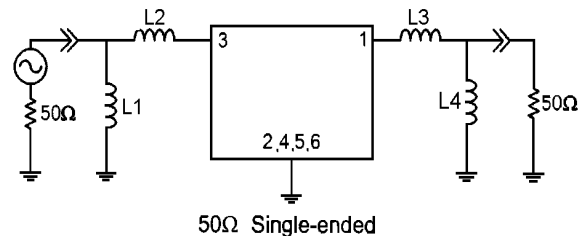
### Specification

Parameter	Unit	Min.	Typ.	Max.
Center Frequency (Fc)	MHz	159.85	160.00	160.15
Insertion Loss	dB	-	26.20	28.00
1dB Bandwidth	MHz	-	19.17	-
3dB Bandwidth	MHz	19.30	19.54	-
40dB Bandwidth	MHz	-	21.15	21.40
Passband Ripple	dB	-	0.55	1.00
Group Delay Variation(Fc±9.1MHz)	nsec	-	35	-
Absolute Delay	µsec	-	2.69	-
Ultimate Attenuation	dB	50	55	-
Substrate Material	-	112-LiTaO <sub>3</sub>		
Temperature Coefficient	ppm/°C	-20		

### Package Dimension



### Matching Configuration



L1=L4=22nH, L2=L3=12nH  
 Source / Load Impedance = 50Ω  
 Ambient Temperature = 25°C

09/26/2006

