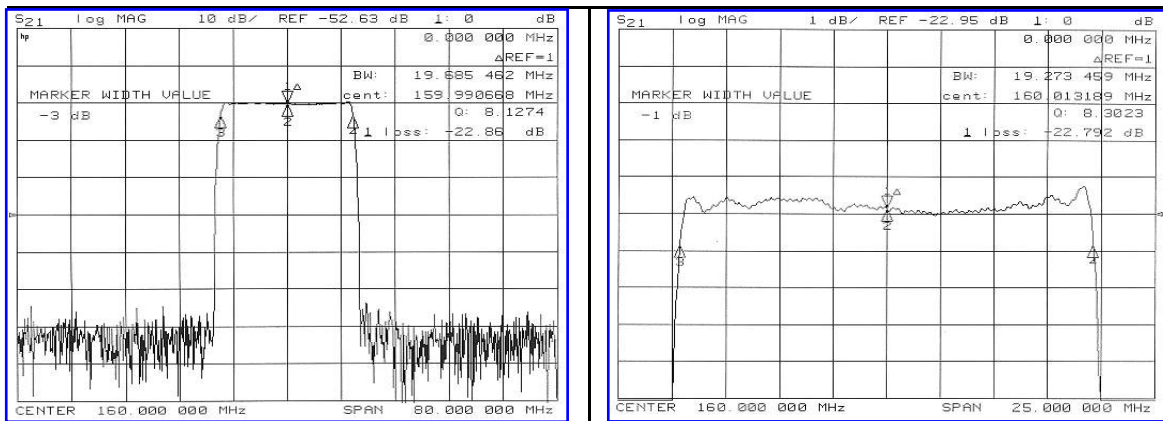


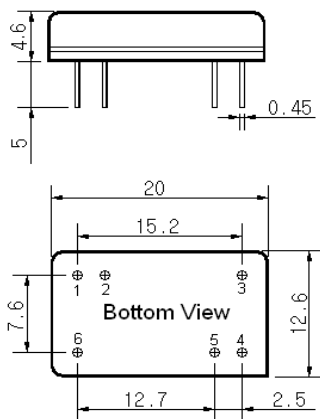
Typical Performance



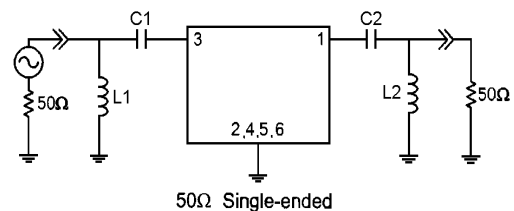
Specification

Parameter	Unit	Min.	Typ.	Max.
Center Frequency (Fc)	MHz	-	160.00	-
Insertion Loss	dB	-	23.00	24.50
1dB Bandwidth	MHz	-	19.27	-
3dB Bandwidth	MHz	19.50	19.68	-
40dB Bandwidth	MHz	-	21.55	21.70
Passband Ripple (Fc±9.375MHz)	dB	-	0.7	1.00
Group Delay Variation (Fc±9.375MHz)	nsec	-	50	100
Absolute Delay	µsec	-	1.78	-
Ultimate Attenuation	dB	50	55	-
Substrate Material	-	128-LiNbO ₃		
Temperature Coefficient	ppm/°C	-72		

Package Dimension



Matching Configuration



L1 = L2 = 82nH, C1 = C2 = 82pF
 Source / Load Impedance = 50Ω
 Ambient Temperature = 25°C

07/24/2006

