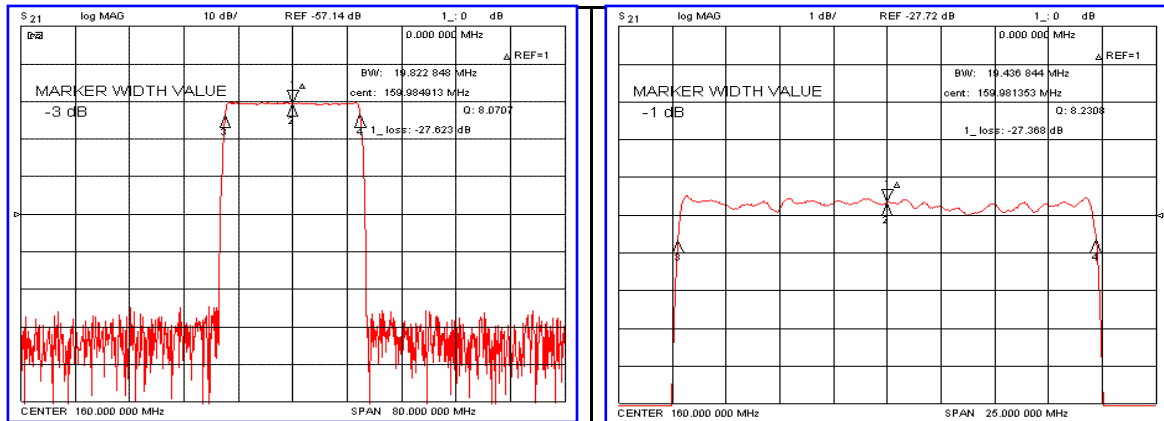


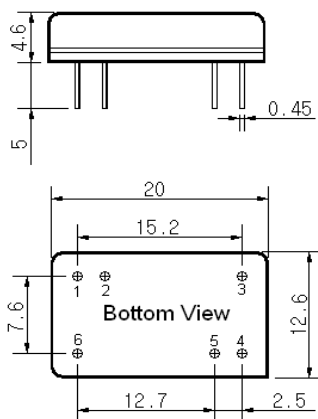
Typical Performance



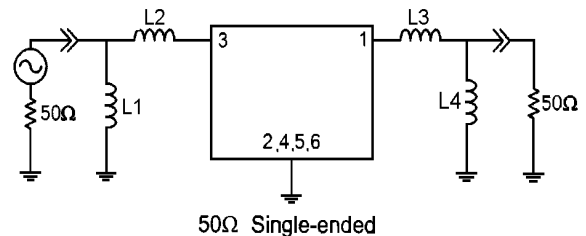
Specification

Parameter	Unit	Min.	Typ.	Max.
Center Frequency (Fc)	MHz	159.85	160.00	160.15
Insertion Loss	dB	-	27.62	28.00
1dB Bandwidth	MHz	-	19.44	-
3dB Bandwidth	MHz	19.50	19.82	-
40dB Bandwidth	MHz	-	21.46	21.70
Passband Ripple	dB	-	0.55	1.00
Group Delay Variation(Fc±9.1MHz)	nsec	-	30	-
Absolute Delay	µsec	-	2.68	-
Ultimate Attenuation	dB	50	55	-
Substrate Material	-	112-LiTaO ₃		
Temperature Coefficient	ppm/°C	-20		

Package Dimension



Matching Configuration



L1=L4=22nH, L2=L3=12nH
 Source / Load Impedance = 50Ω
 Ambient Temperature = 25°C

09/08/2006

