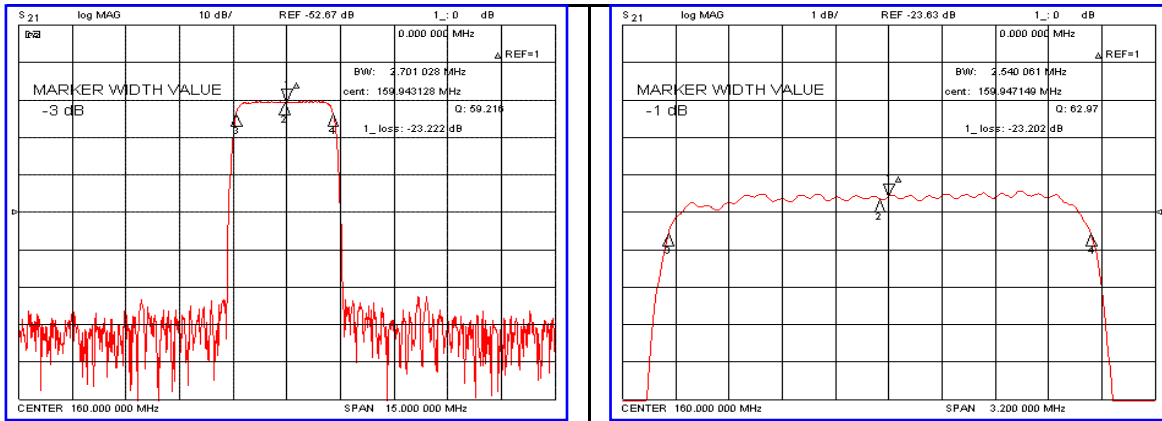


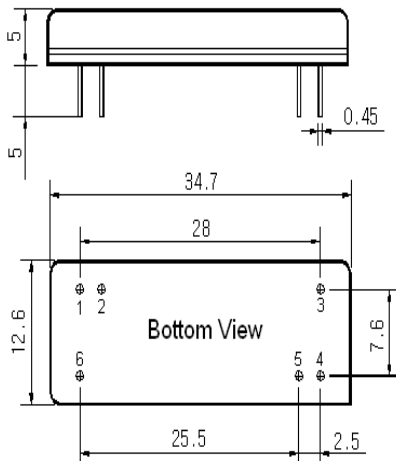
Typical Performance



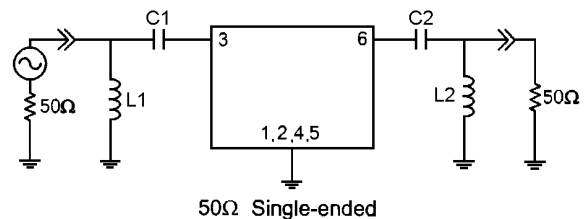
Specification

Parameter	Unit	Min.	Typ.	Max.
Center Frequency	MHz	159.85	160.00	160.15
Insertion Loss	dB	-	23.50	25.00
1dB Bandwidth	MHz	2.40	2.54	-
3dB Bandwidth	MHz	-	2.70	-
40dB Bandwidth	MHz	-	3.18	3.40
Passband Ripple($F_c \pm 1.1$ MHz)	dB	-	0.55	1.00
Group Delay Variation($F_c \pm 1.1$ MHz)	nsec	-	150	250
Absolute Delay	μ sec	-	4.56	-
Ultimate Attenuation	dB	48	52	-
Substrate Material	-	Quartz		
Temperature Coefficient	ppm/ $^{\circ}$ C	-0.03		

Package Dimension



Matching Configuration



L1=15nH, L2=12nH, C1=220pF, C2=240pF
 Source / Load Impedance = 50 Ω
 Ambient Temperature = 25 $^{\circ}$ C

Rev0. 070409

