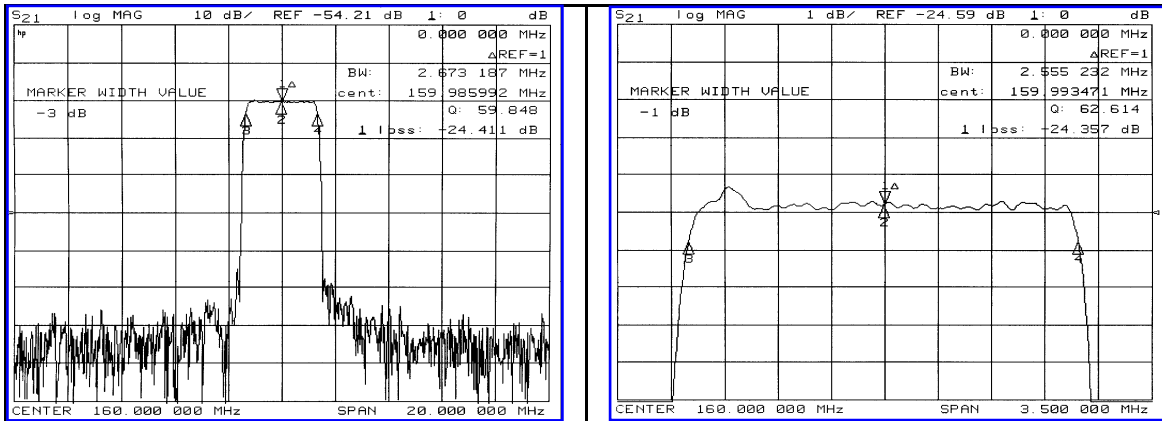


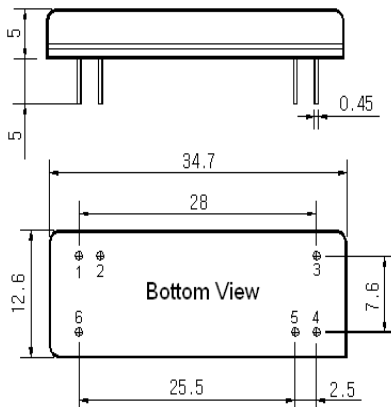
Typical Performance



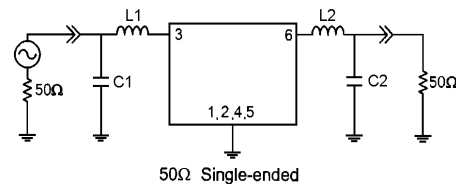
Specification

Parameter	Unit	Min.	Typ.	Max.
Center Frequency (Fc)	MHz	-	160.00	-
Insertion Loss	dB	-	24.00	25.50
1dB Bandwidth	MHz	-	2.55	-
3dB Bandwidth	MHz	-	2.68	-
40dB Bandwidth	MHz	-	3.07	3.15
Passband Ripple (Fc±1.215MHz)	dB	-	0.65	1.50
Group Delay Variation	nsec	-	250	350
Absolute Delay	μsec	-	4.67	-
Ultimate Attenuation	dB	45	50	-
Substrate Material	-	Quartz		
Temperature Coefficient	ppm/°C ²	-0.03		

Package Dimension



Matching Configuration



L1=33nH, L2=27nH, C1=43pF, C2=62pF
 Source / Load Impedance = 50Ω
 Ambient Temperature = 25°C

04/14/2006

