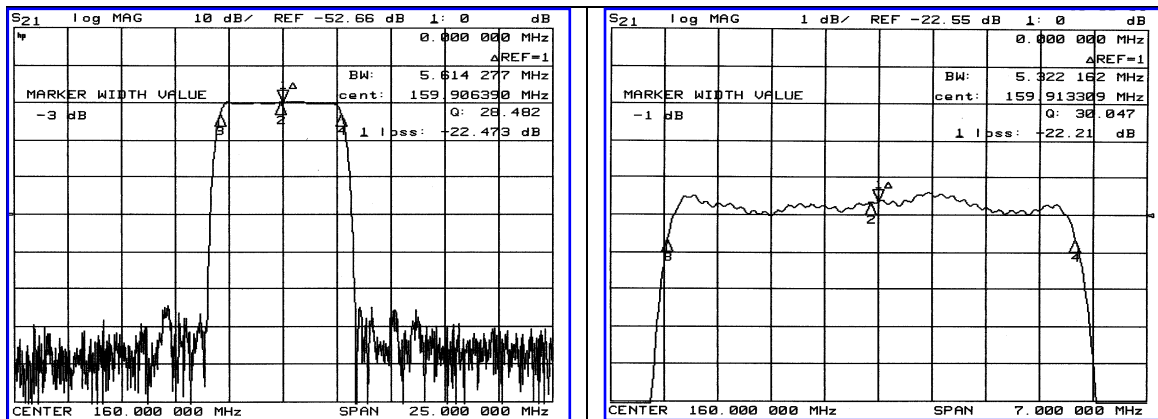


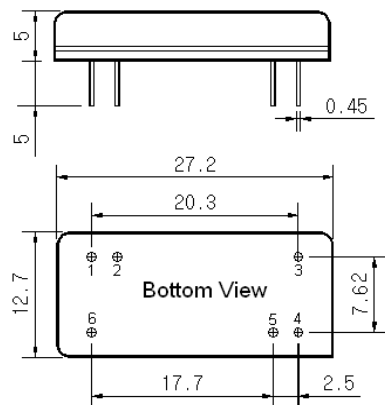
Typical Performance



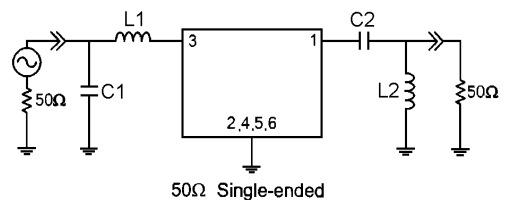
Specification

Parameter	Unit	Min.	Typ.	Max.
Center Frequency	MHz	159.80	160.00	160.20
Insertion Loss	dB	-	22.50	24.00
1dB Bandwidth	MHz	-	5.32	-
3dB Bandwidth	MHz	5.50	5.61	-
40dB Bandwidth	MHz	-	6.70	7.00
Passband Ripple	dB	-	0.65	1.00
Group Delay Variation	nsec	-	150	250
Absolute Delay	µsec	-	3.25	-
Ultimate Attenuation	dB	50	55	-
Substrate Material	-	LiTaO ₃		
Temperature Coefficient	ppm/°C	-20		

Package Dimension



Matching Configuration



L1=18nH, L2=22nH, C1=47pF, C2=68pF
 Source / Load Impedance = 50Ω
 Ambient Temperature = 25°C

10/12/2005

