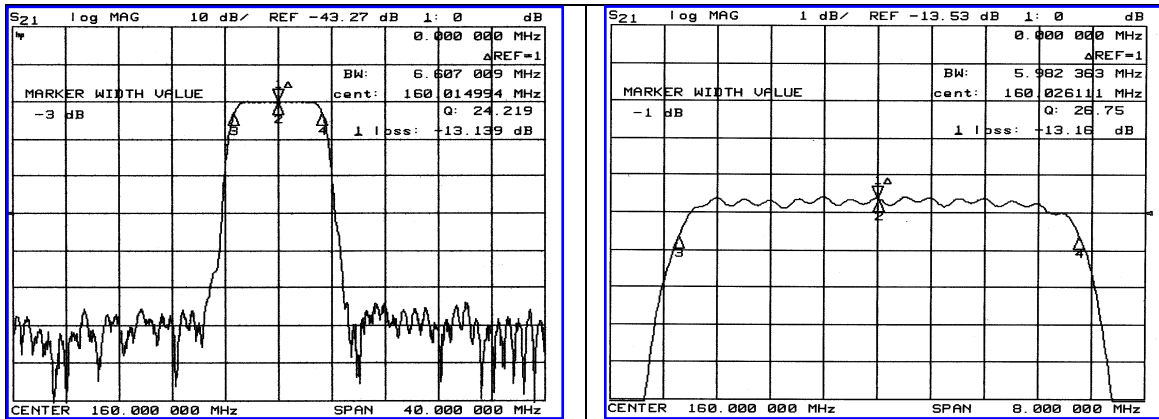


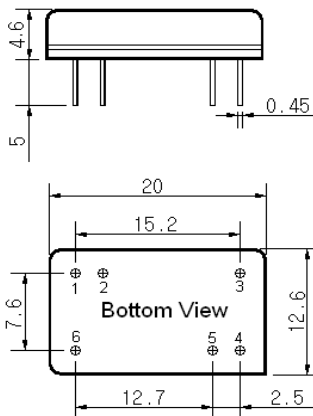
## Typical Performance



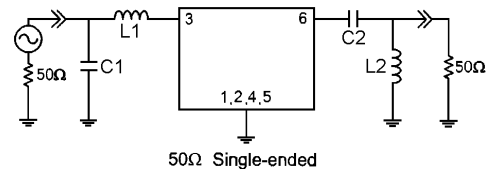
## Specification

Parameter	Unit	Min.	Typ.	Max.
Center Frequency	MHz	159.85	160.00	160.15
Insertion Loss	dB	-	13.50	15.00
1dB Bandwidth	MHz	-	5.98	-
3dB Bandwidth	MHz	6.00	6.60	-
40dB Bandwidth	MHz	-	9.06	9.30
Passband Ripple	dB	-	0.45	1.00
Group Delay Variation	nsec	-	80	150
Absolute Delay	µsec	-	1.27	-
Ultimate Attenuation	dB	40	50	-
Substrate Material	-	LiTaO <sub>3</sub>		
Temperature Coefficient	ppm/°C	-20		

## Package Dimension



## Matching Configuration



L1=33nH, L2=27nH, C1=43pF, C2=120pF  
 Source / Load Impedance = 50Ω  
 Ambient Temperature = 25°C

10/28/2005

