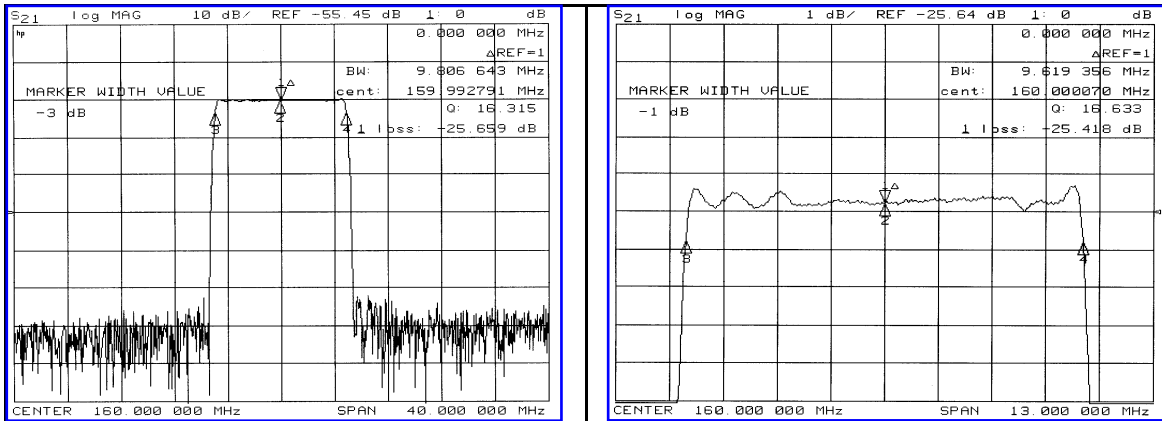


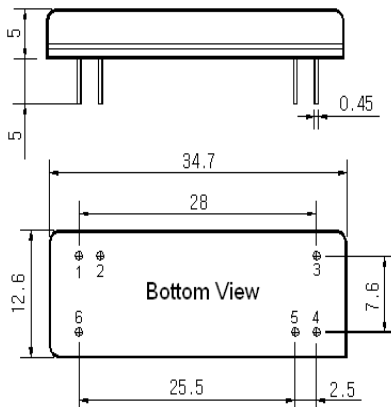
Typical Performance



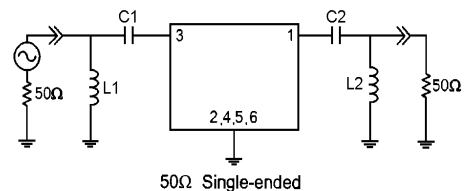
Specification

Parameter	Unit	Min.	Typ.	Max.
Center Frequency (Fc)	MHz	-	160.00	-
Insertion Loss	dB	-	26.00	27.50
1dB Bandwidth	MHz	-	9.61	-
3dB Bandwidth	MHz	-	9.80	-
40dB Bandwidth	MHz	-	10.64	10.70
Passband Ripple (Fc±4.665MHz)	dB	-	0.70	1.50
Group Delay Variation	nsec	-	85	150
Absolute Delay	µsec	-	4.27	-
Ultimate Attenuation	dB	50	53	-
Substrate Material	-	LiTaO ₃		
Temperature Coefficient	ppm/°C	-20		

Package Dimension



Matching Configuration



L1=18nH, L2=22nH, C1=C2=100pF
 Source / Load Impedance = 50Ω
 Ambient Temperature = 25°C

04/06/2006

