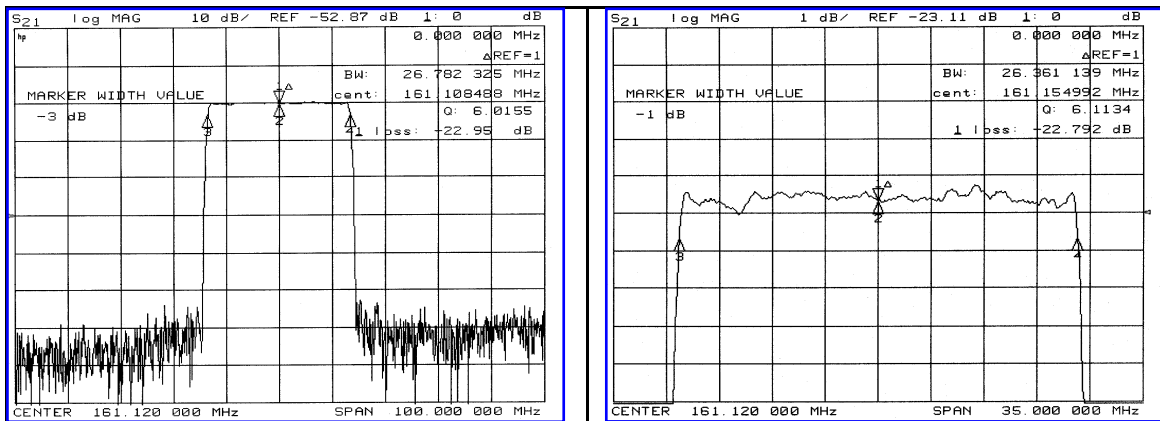


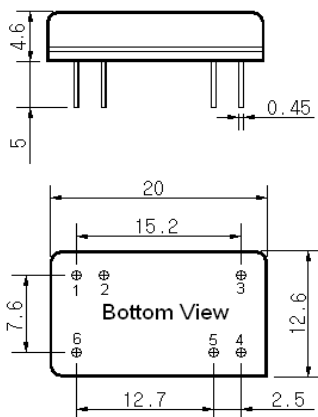
### Typical Performance



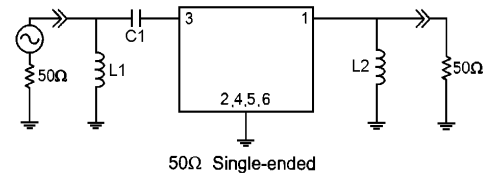
### Specification

Parameter	Unit	Min.	Typ.	Max.
Center Frequency	MHz	160.94	161.12	161.30
Insertion Loss	dB	-	23.00	25.00
1dB Bandwidth	MHz	-	26.36	-
3dB Bandwidth	MHz	26.50	26.78	-
40dB Bandwidth	MHz	-	28.62	29.00
Passband Ripple	dB	-	0.75	1.00
Group Delay Variation	nsec	-	50	100
Absolute Delay	μsec	-	1.69	-
Ultimate Attenuation	dB	50	55	-
Substrate Material	-	128-LiNbO <sub>3</sub>		
Temperature Coefficient	ppm/°C	-72		

### Package Dimension



### Matching Configuration



L1=56nH, L2=68nH, C1=100pF  
 Source / Load Impedance = 50Ω  
 Ambient Temperature = 25°C

12/20/2005

