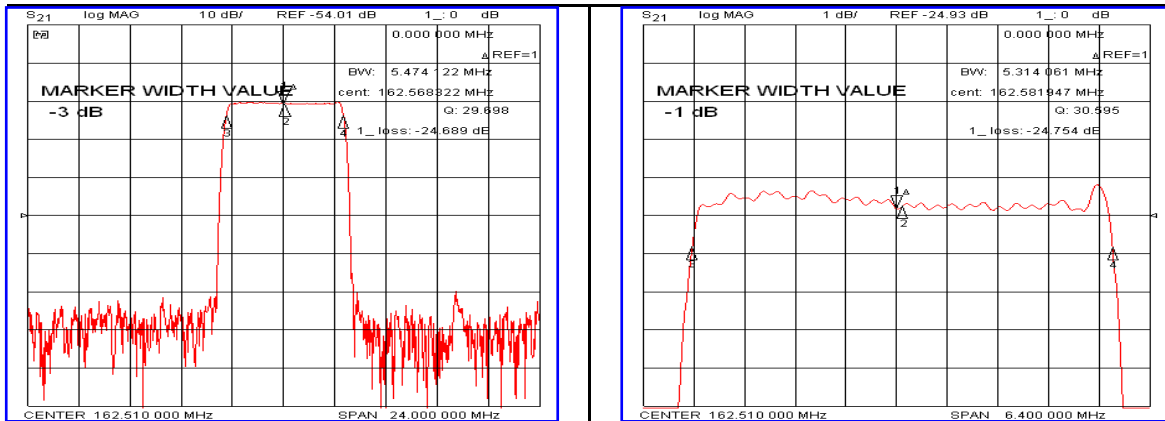


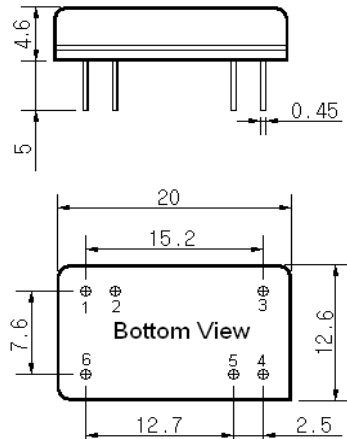
Typical Performance



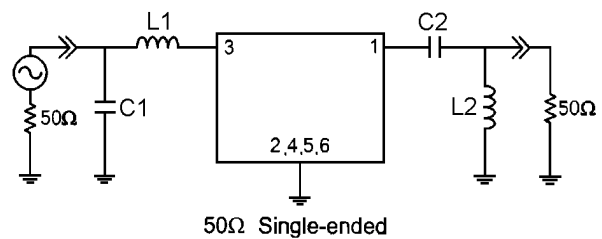
Specification

| Parameter | Unit | Min. | Typ. | Max. |
|--|-------------------------|------------------------|--------|-------|
| Center Frequency | MHz | - | 162.51 | - |
| Insertion Loss | dB | - | 24.70 | 26.50 |
| 1dB Bandwidth | MHz | 5.10 | 5.31 | - |
| 3dB Bandwidth | MHz | - | 5.47 | - |
| 40dB Bandwidth | MHz | - | 6.25 | 6.40 |
| Passband Ripple($F_c \pm 2.46\text{MHz}$) | dB | - | 0.60 | 1.20 |
| Ultimate Attenuation | dB | 40 | 47 | - |
| Absolute Delay | μsec | - | 2.50 | - |
| Relative Attenuation $F_c \pm 2.46\text{M} \pm 0.5\text{MHz}$ Point | dB | - | 15 | - |
| Substrate Material | - | 112-LiTaO ₃ | | |
| Temperature Coefficient | ppm/ $^{\circ}\text{C}$ | -20 | | |

Package Dimension



Matching Configuration



L1=1.8nH, L2=22nH, C1=120pF, C2=39pF
Source / Load Impedance = 50Ω
Ambient Temperature = 25°C

Rev 2. 120322

