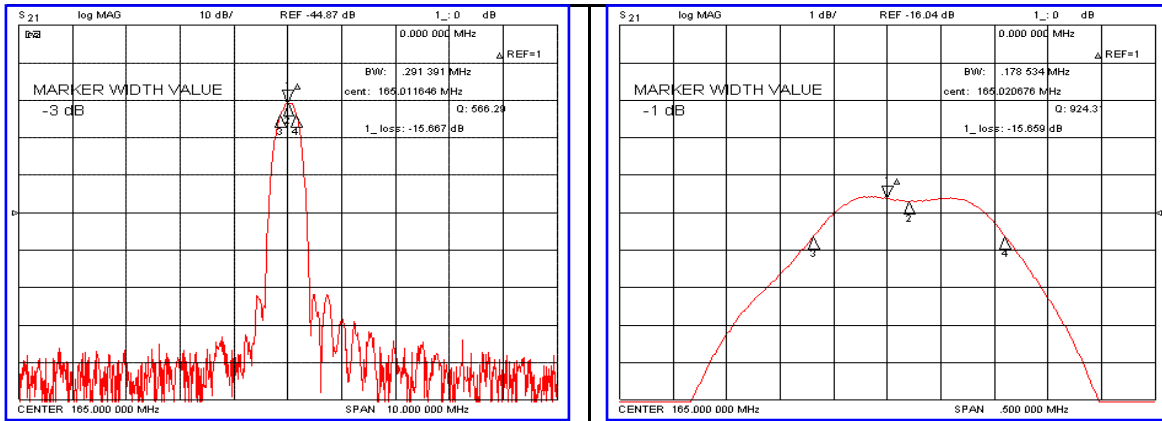


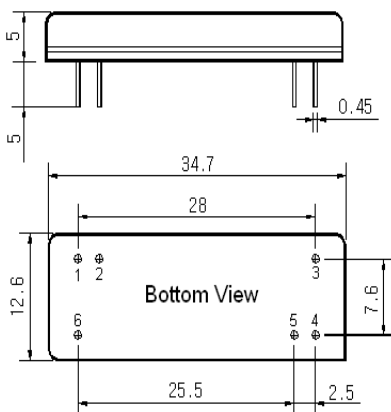
## Typical Performance



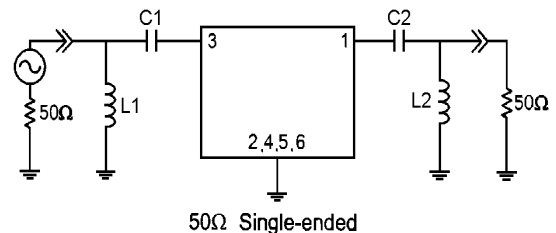
## Specification

Parameter	Unit	Min.	Typ.	Max.
Center Frequency	MHz	164.90	165.00	165.10
Insertion Loss	dB	-	15.60	17.00
1dB Bandwidth	MHz	-	0.17	-
3dB Bandwidth	MHz	0.25	0.29	-
40dB Bandwidth	MHz	-	0.77	0.90
Passband Ripple	dB	-	0.45	1.00
Absolute Delay	μsec	-	3.84	-
Ultimate Attenuation	dB	48	52	-
Substrate Material	-	Quartz		
Temperature Coefficient	ppm/°C <sup>2</sup>	-0.03		

## Package Dimension



## Matching Configuration



L1=39nH, L2=47nH, C1=C2=27pF  
 Source / Load Impedance = 50Ω  
 Ambient Temperature = 25°C

10/18/2006

