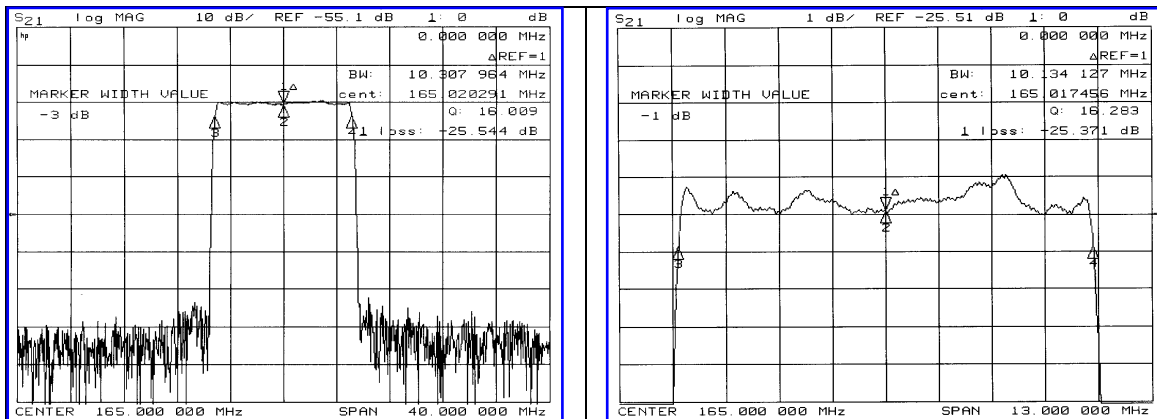


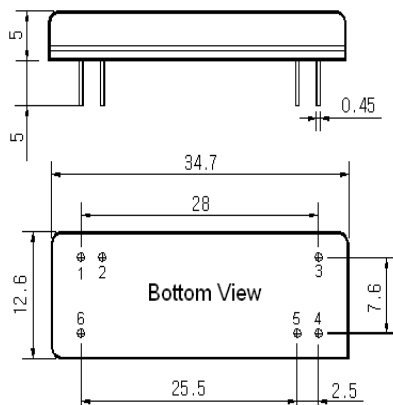
Typical Performance



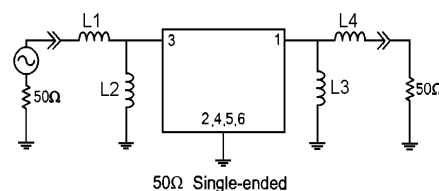
Specification

Parameter	Unit	Min.	Typ.	Max.
Center Frequency	MHz	164.85	165.00	165.15
Insertion Loss	dB	-	25.50	27.00
1dB Bandwidth	MHz	-	10.13	-
3dB Bandwidth	MHz	10.20	10.30	-
20dB Bandwidth	MHz	-	10.85	11.00
30dB Bandwidth	MHz	-	11.00	-
45dB Bandwidth	MHz	-	11.16	-
Passband Ripple	dB	-	1.00	1.50
Group Delay Variation	nsec	-	100	200
Absolute Delay	µsec	-	4.57	-
Ultimate Attenuation	dB	50	53	-
Substrate Material	-	LiTaO ₃		

Package Dimension



Matching Configuration



L1=L4=68nH, L2=22nH, L3=27nH
 Source / Load Impedance = 50Ω
 Ambient Temperature = 25°C

05/08/2006

