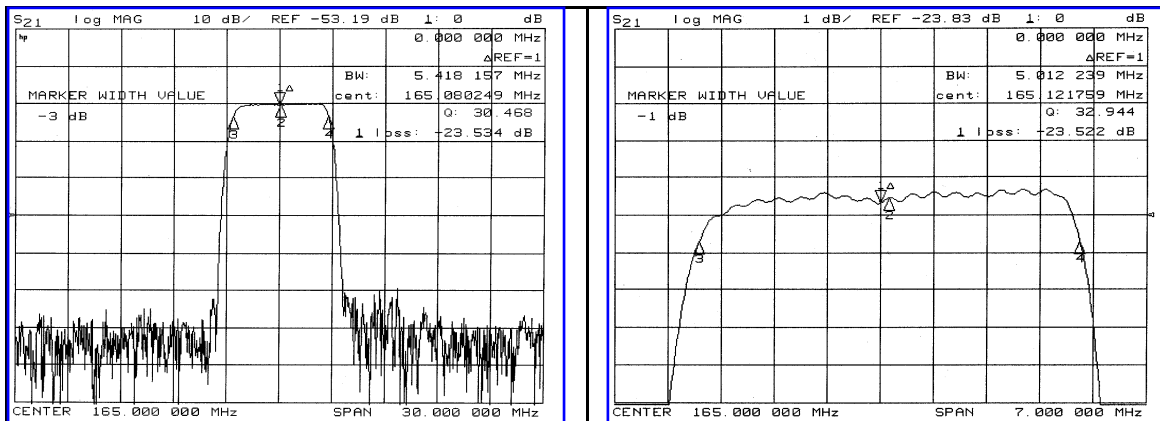


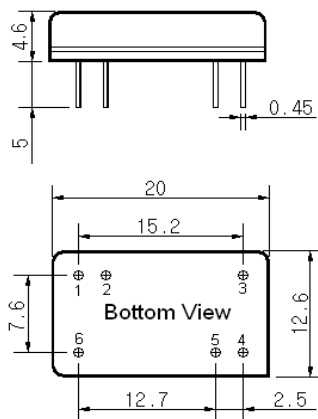
Typical Performance



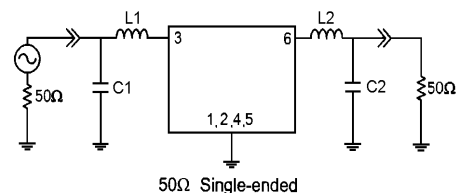
Specification

| Parameter | Unit | Min. | Typ. | Max. |
|-------------------------|--------|------------------------|--------|--------|
| Center Frequency | MHz | 164.85 | 165.00 | 165.15 |
| Insertion Loss | dB | - | 23.50 | 25.00 |
| 1dB Bandwidth | MHz | - | 5.01 | - |
| 3dB Bandwidth | MHz | 5.20 | 5.41 | - |
| 40dB Bandwidth | MHz | - | 6.92 | 7.30 |
| Passband Ripple | dB | - | 0.65 | 1.00 |
| Group Delay Variation | nsec | - | 100 | 200 |
| Absolute Delay | μsec | - | 1.66 | - |
| Ultimate Attenuation | dB | 48 | 52 | - |
| Substrate Material | - | 112-LiTaO ₃ | | |
| Temperature Coefficient | ppm/°C | -20 | | |

Package Dimension



Matching Configuration



L1=3.9nH, L2=2.2nH, C1=47pF, C2=92pF
 Source / Load Impedance = 50Ω
 Ambient Temperature = 25°C

01/24/2006

