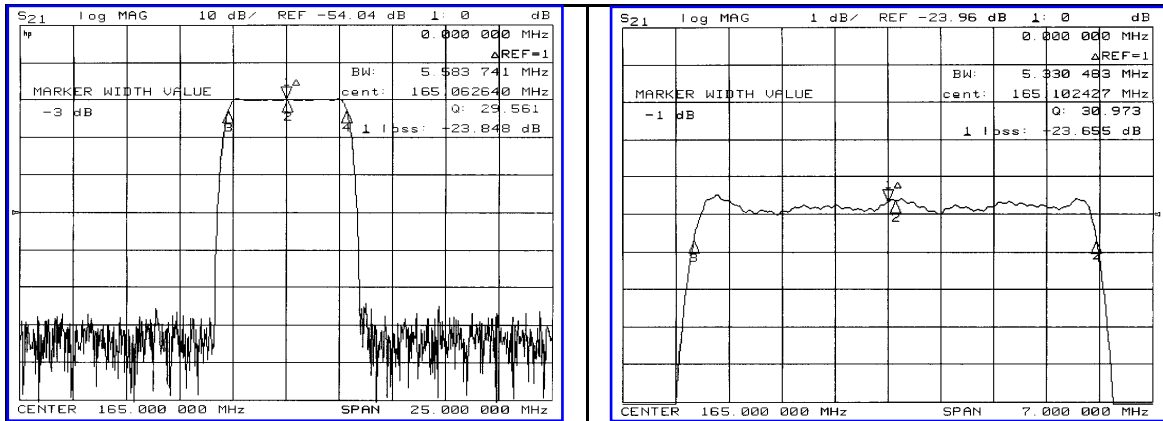


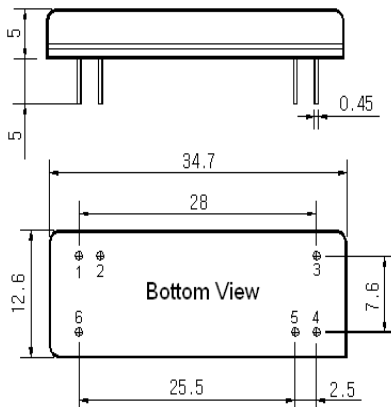
### Typical Performance



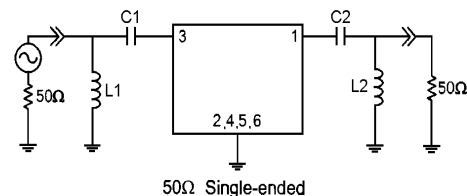
### Specification

| Parameter               | Unit   | Min.               | Typ.   | Max.   |
|-------------------------|--------|--------------------|--------|--------|
| Center Frequency        | MHz    | 164.80             | 165.00 | 165.20 |
| Insertion Loss          | dB     | -                  | 23.50  | 25.00  |
| 1dB Bandwidth           | MHz    | 5.10               | 5.33   | -      |
| 3dB Bandwidth           | MHz    | -                  | 5.58   | -      |
| 40dB Bandwidth          | MHz    | -                  | 6.70   | 6.80   |
| Passband Ripple         | dB     | -                  | 0.65   | 1.00   |
| Group Delay Variation   | nsec   | -                  | 100    | 200    |
| Absolute Delay          | µsec   | -                  | 3.48   | -      |
| Ultimate Attenuation    | dB     | 50                 | 55     |        |
| Substrate Material      | -      | LiTaO <sub>3</sub> |        |        |
| Temperature Coefficient | ppm/°C | -20                |        |        |

### Package Dimension



### Matching Configuration



L1=L2=33nH, C1=68pF, C2=56pF  
 Source / Load Impedance = 50Ω  
 Ambient Temperature = 25°C

03/15/2006

