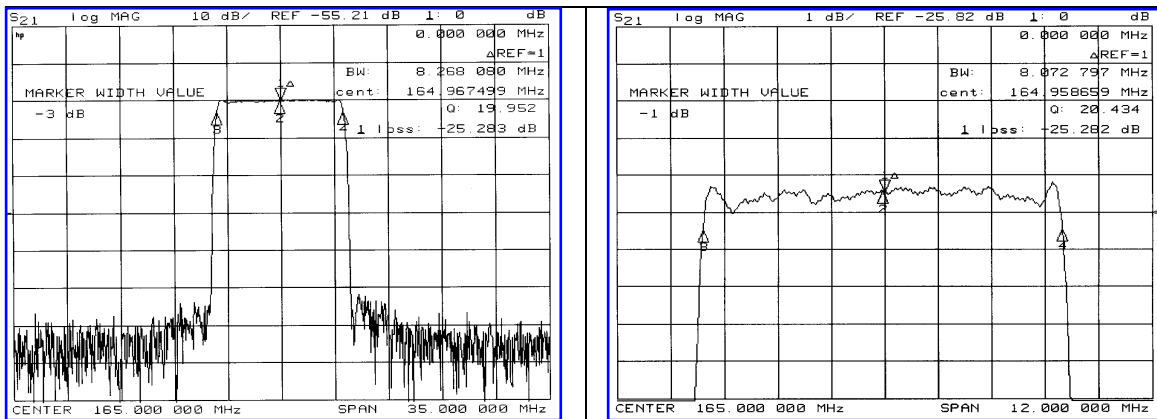


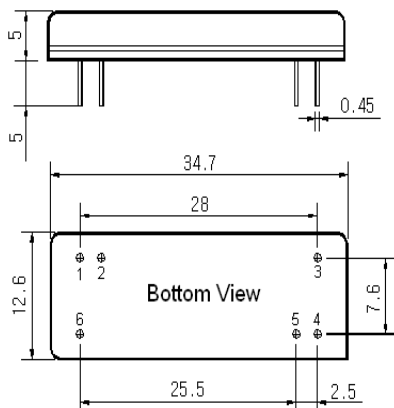
Typical Performance



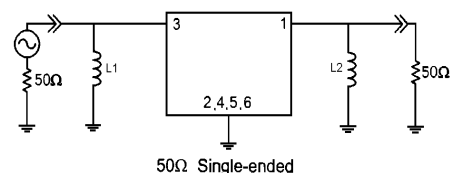
Specification

Parameter	Unit	Min.	Typ.	Max.
Center Frequency	MHz	164.85	165.00	165.15
Insertion Loss	dB	-	25.50	27.00
1dB Bandwidth	MHz	-	8.07	-
3dB Bandwidth	MHz	8.00	8.26	-
20dB Bandwidth	MHz	-	8.82	-
30dB Bandwidth	MHz	-	8.96	-
45dB Bandwidth	MHz	-	9.09	-
Passband Ripple	dB	-	0.65	-
Group Delay Variation	nsec	-	100	200
Absolute Delay	µsec	-	4.58	-
Ultimate Attenuation	dB	50	53	-
Substrate Material	-	LiTaO ₃		

Package Dimension



Matching Configuration



L1=15nH, L2=15nH
 Source / Load Impedance = 50Ω
 Ambient Temperature = 25°C

03/28/2006

